

JOB
ADDRESS
CITY, ST, ZIP
AREA

GENERAL NOTES

MATERIAL LIST

ALL GLASS ENTRANCES & SIDELITES

FIVE (5) 1/2" CLEAR GLASS DOOR ELEVATIONS PER 2/TI-6 (DOOR #'S: 129, 130, 209, 358 & 359)
 TWO (2) 8'-6" X 9'-0" 1/2" CLEAR GLASS ELEVATIONS PER 6/TI-6 (DOOR #'S 227 & 260)
 ONE (1) 6'-2" X 9'-0" 1/2" CLEAR GLASS ELEVATION PER 9/TI-6 (DOOR #305)
 ONE (1) 3'-0" X 7'-0" 1/2" CLEAR GLASS ELEVATION PER 4/TI-6 (DOOR #219)
 ONE (1) 11'-11" X 9'-0" 1/2" CLEAR GLASS ELEVATION PER 3/TI-6 (DOOR #225A)
 TWO (2) 8'-4" X 9'-0" 1/2" CLEAR GLASS ELEVATIONS PER 11/TI-6 (DOOR #'S 319 & 354)
 TWO (2) 8'-2" X 9'-4" 1/2" CLEAR GLASS ELEVATIONS PER 8/TI-6 (DOOR #'S 370 & 371)
 ONE (1) 17'-10" X 7'-0" 1/2" CLEAR GLASS ELEVATION PER 5/TI-6
 ONE (1) 16'-0" X 8'-4" 1/2" CLEAR GLASS ELEVATION PER 12/TI-6
 ONE (1) 3'-0" X 7'-0" 1/2" CLEAR GLASS ELEVATION PER SIM.9/TI-6 (DOOR #374)
 TWO (2) 28'-2" X 7'-0" STAIR 1/2" CLEAR GLASS ELEVATIONS (DOOR #'S 259 & 3-110)

08800 – GLASS AND GLAZING

1/4" CLEAR TEMPERED

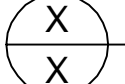


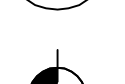


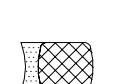
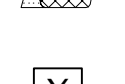
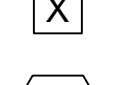

- FORTY TWO (42) TYP. SIDELITE ELEVATIONS PER 1/TI-6 R2
- FORTY FIVE (45) 3RD FLOOR TYP. SIDELITE ELEVATIONS PER 2.1/TI-6 R2
- ONE (1) 6'-0" X 4'-10" HR AREA GLAZING ELEVATION PER 4/TI-6 R2
- TWO (2) 2'-10" X 7'-2" ROOM 367 & ROOM 315 PER 9/TI-7 R2

DOOR HARDWARE SCHEDULE

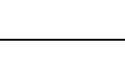
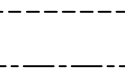
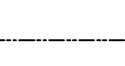

TYPE "D" ALL GLASS ENTRANCES

- FLOOR CLOSER – @ DOOR 129 ONLY
- COC CLOSERS IN REMAINING DOORS
- CRL STYLE 24" BACK TO BACK LADDER PUSH/PULL HANDLES
- CRL- CLEAR ANODIZED U-CHANNEL AS REQUIRED
- CRL FULL RAILS W/LOCK (CYLINDER/THUMB-TURN)
- US32D FINISH
- POWER SUPPLY, ELECTRICAL HOOKUP & CARD SYSTEM BY OTHERS
- CUTOUTS FOR FLOOR CLOSERS BY R.D. SCINTO,

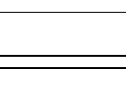
SYMBOLS & ABBREVIATIONS

- | | |
|---|-----------------------------------|
|  | DETAIL NUMBER |
|  | SHEET NUMBER |
|  | ELEVATION NUMBER |
|  | SHEET NUMBER |
|  | DATUM / WORK POINT |
|  | BACKER ROD AND CAULK BY INSTALLER |
|  | BACKER ROD AND CAULK BY OTHERS |
|  | GLASS TYPE |
|  | FRAME REFERENCE |
|  | ANCHOR POINT |
| RO | ROUGH OPENING |
| FS | FRAME SIZE |
| DLO | DAYLIGHT OPENING |
| DO | DOOR OPENING |
| EQ | EQUAL |
| VIF | VERIFY IN FIELD |
| BO | BY OTHERS |
| CL | CENTER LINE |

LINE TYPES

- | | |
|---|--------------|
|  | TYPICAL LINE |
|  | HIDDEN LINE |
|  | CENTER LINE |
|  | PHANTOM LINE |

LINE WEIGHTS

- | | |
|---|----------------|
|  | WORK BY CSN |
|  | WORK BY OTHERS |

DRAWING INDEX

- | | |
|-------|--------------------|
| CS | COVER SHEET |
| P1-P3 | PARTIAL PLAN VIEWS |
| E1-E3 | ELEVATIONS |
| D1-D3 | DETAILS |

GLAZING SCHEDULE

- | | |
|---|--|
| 1 | 1/2" CLEAR TEMPERED GLASS (POLISHED AS NEEDED) |
| 2 | 1/4" CLEAR TEMPERED GLASS (POLISHED AS NEEDED) |

FINISH

BRUSHED STAINLESS STEEL

SEALANT

CLEAR SILICONE SEALANT AT BUTT JOINTS

EXCLUSIONS

- LOGO ARTWORK AND FILM
- FINAL CLEANING
- PROTECTION OF FINAL WORK AFTER SCOPE IS COMPLETE
- BREAKAGE
- INTERIOR GLAZING (OTHER THAN NOTED ABOVE)
- PARTITION CAPS (PRICED SEPARATELY)
- MOCK UP
- FIELD TESTING

REVISIONS

GLASS COMPANY

ARCHITECT

ADDRESS
CITY, ST, ZIP

CONTRACTOR

ADDRESS
CITY, ST, ZIP

COVER SHEET

JOB
ADDRESS
CITY, ST, ZIP
AREA

SCALE:

NO SCALE

DATE:

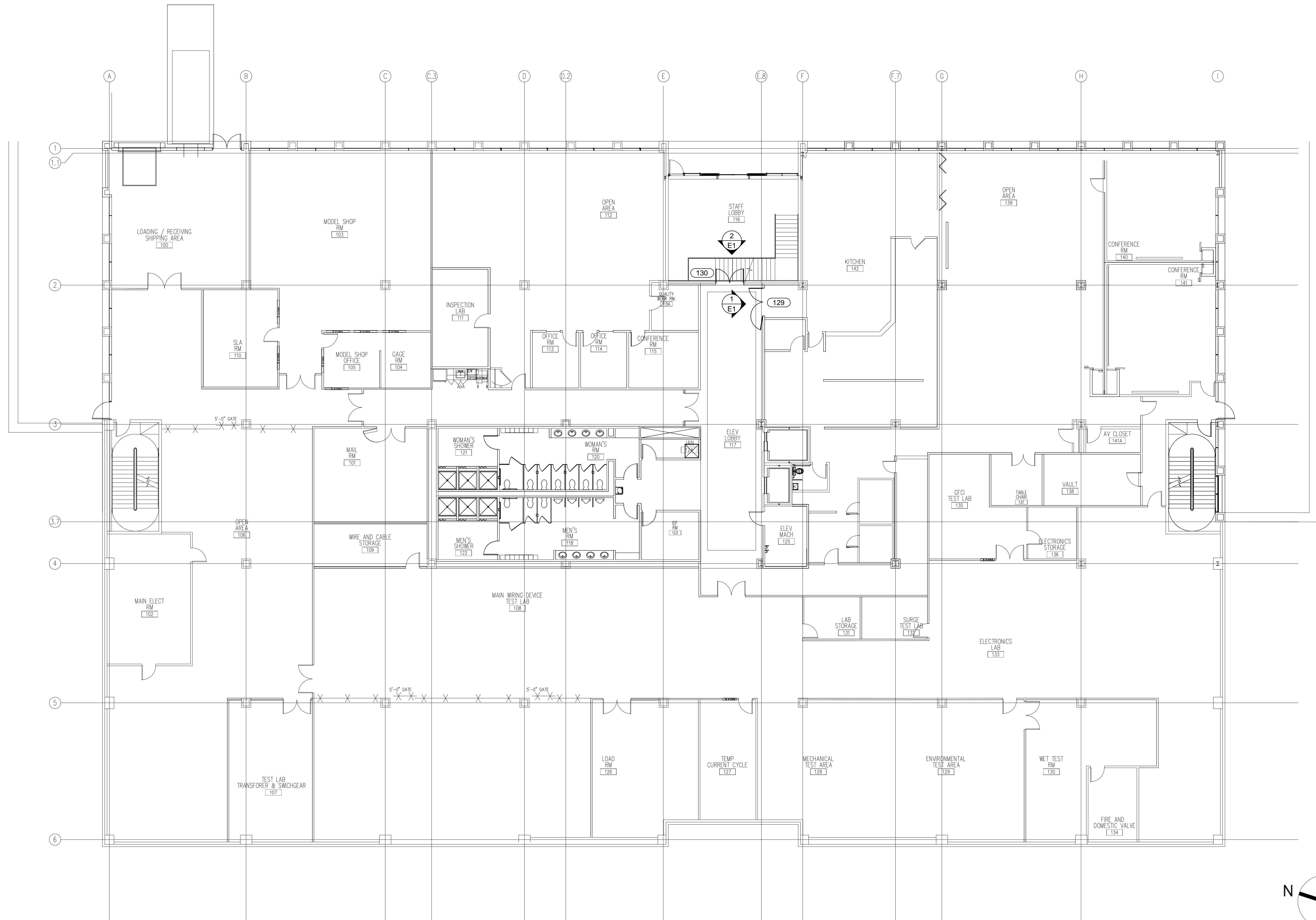
02/17/10

FILENAME:

FILENAME

SHEET

CS



PARTIAL FIRST FLOOR PLAN VIEW
 SCALE : NOT TO SCALE
 FOR LOCATION AND QUANTITY PURPOSES ONLY
 ARCHITECTURAL REFERENCE TI-1.1

1
P1

GENERAL NOTES

REVISIONS

GLASS COMPANY

ARCHITECT
 ADDRESS
 CITY, ST, ZIP

CONTRACTOR
 ADDRESS
 CITY, ST, ZIP

PLAN VIEW

JOB
 ADDRESS
 CITY, ST, ZIP
 AREA

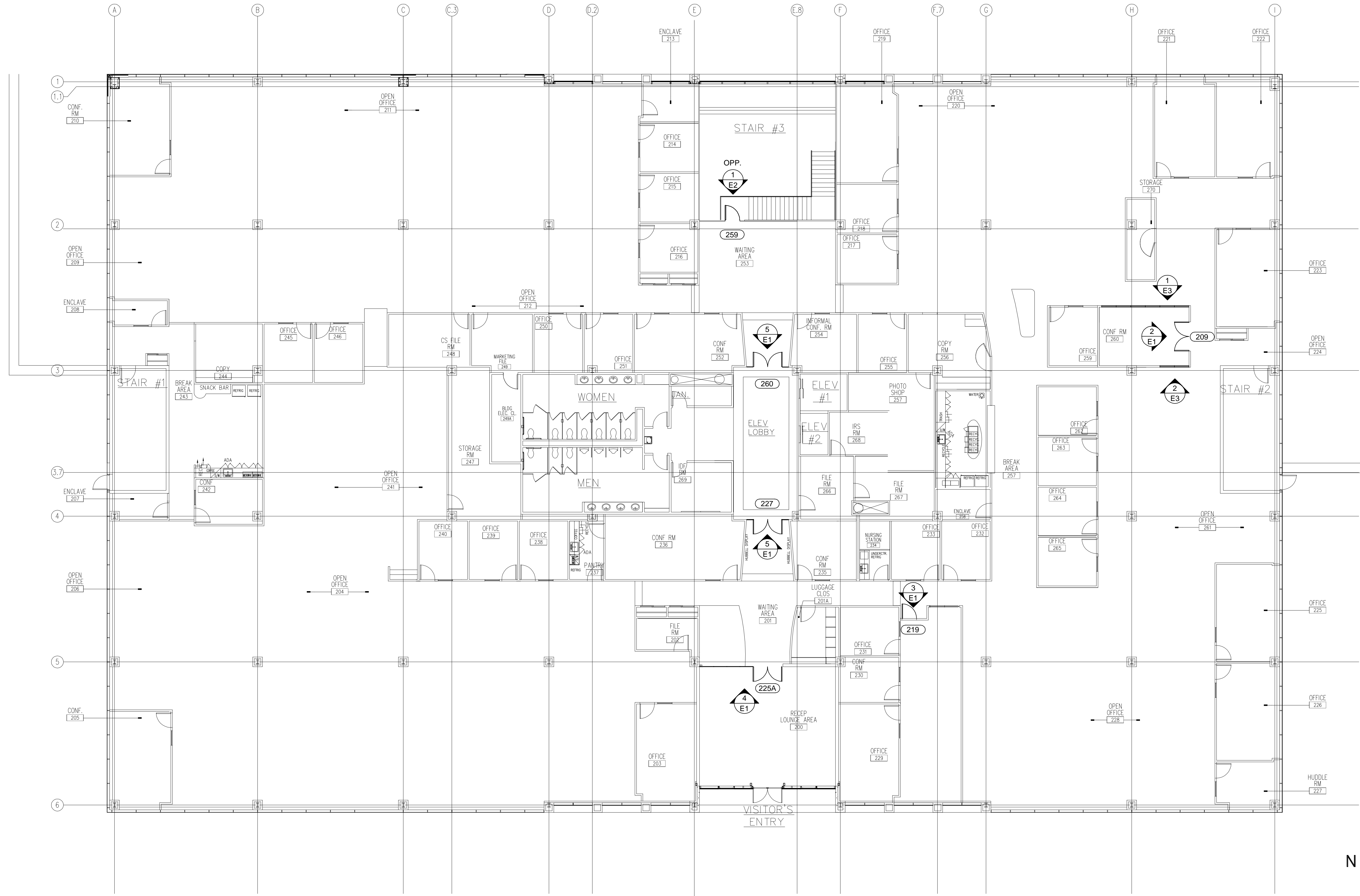
SCALE:
 NOT TO SCALE

DATE
 02/17/10

FILENAME

SHEET

P1



PARTIAL SECOND FLOOR PLAN VIEW
 SCALE : NOT TO SCALE
 FOR LOCATION AND QUANTITY PURPOSES ONLY
 ARCHITECTURAL REFERENCE TI-1.2

1
P2

GENERAL NOTES

REVISIONS

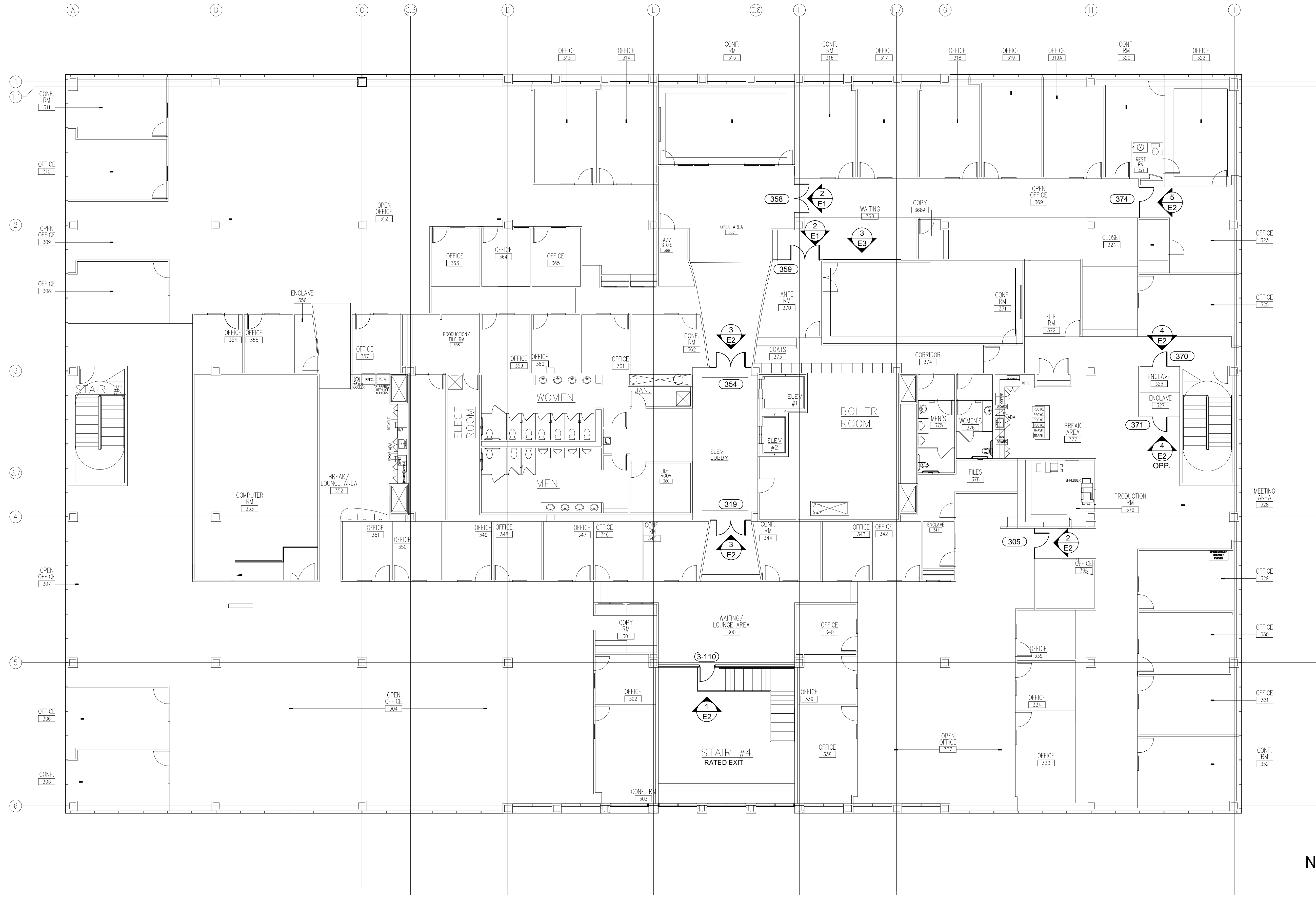
GLASS COMPANY

ARCHITECT
 ADDRESS
 CITY, ST, ZIP
 CONTRACTOR
 ADDRESS
 CITY, ST, ZIP

PLAN VIEW
 JOB
 ADDRESS
 CITY, ST, ZIP
 AREA

SCALE:
 NOT TO SCALE
 DATE:
 02/17/10
 FILENAME:
 SHEET

P2



PARTIAL THIRD FLOOR PLAN VIEW
 SCALE : NOT TO SCALE
 FOR LOCATION AND QUANTITY PURPOSES ONLY
 ARCHITECTURAL REFERENCE TI-1.3

1
P3

GENERAL NOTES

REVISIONS

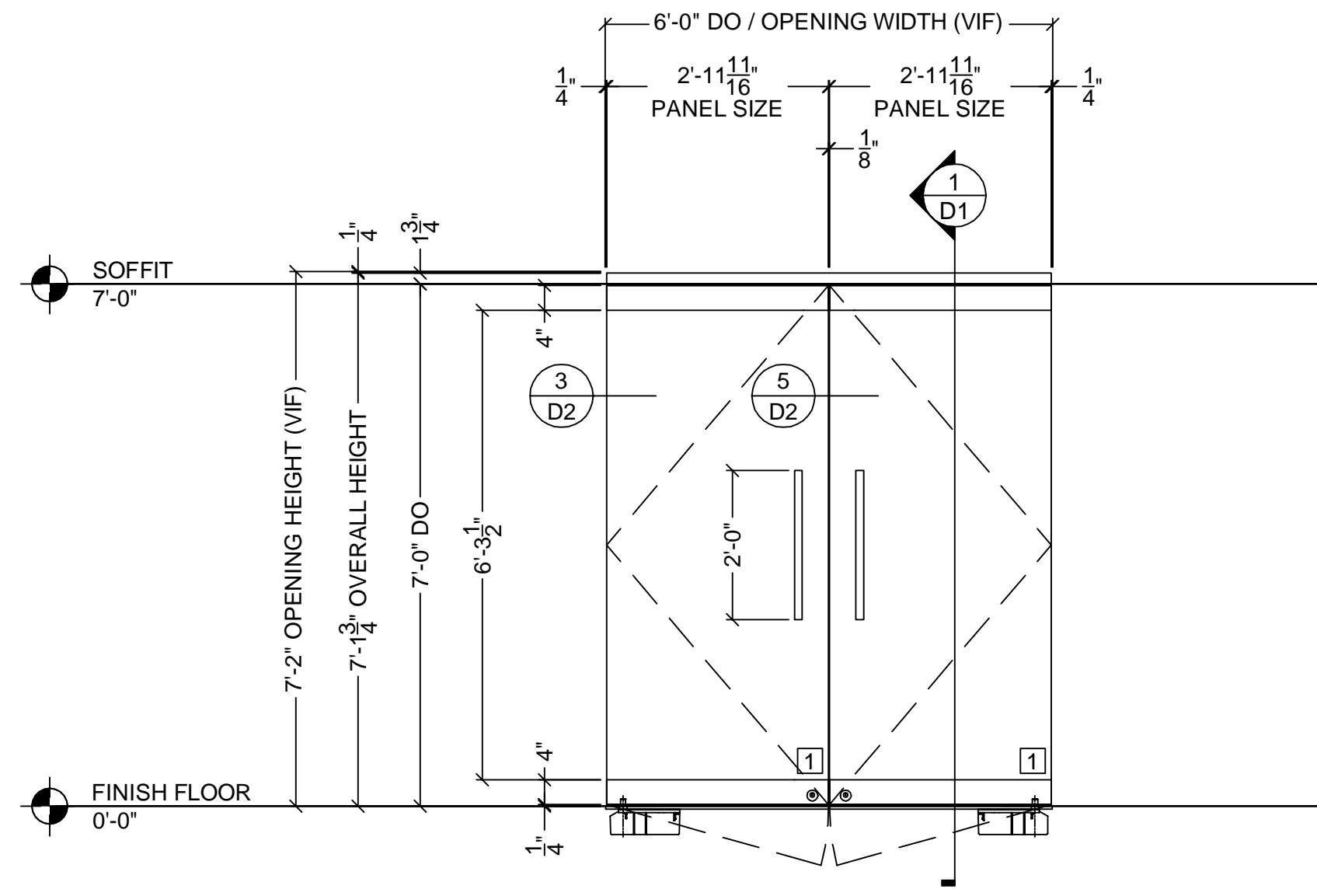
GLASS COMPANY

ARCHITECT
 ADDRESS
 CITY, ST, ZIP
 CONTRACTOR
 ADDRESS
 CITY, ST, ZIP

PLAN VIEW
 JOB
 ADDRESS
 CITY, ST, ZIP
 AREA

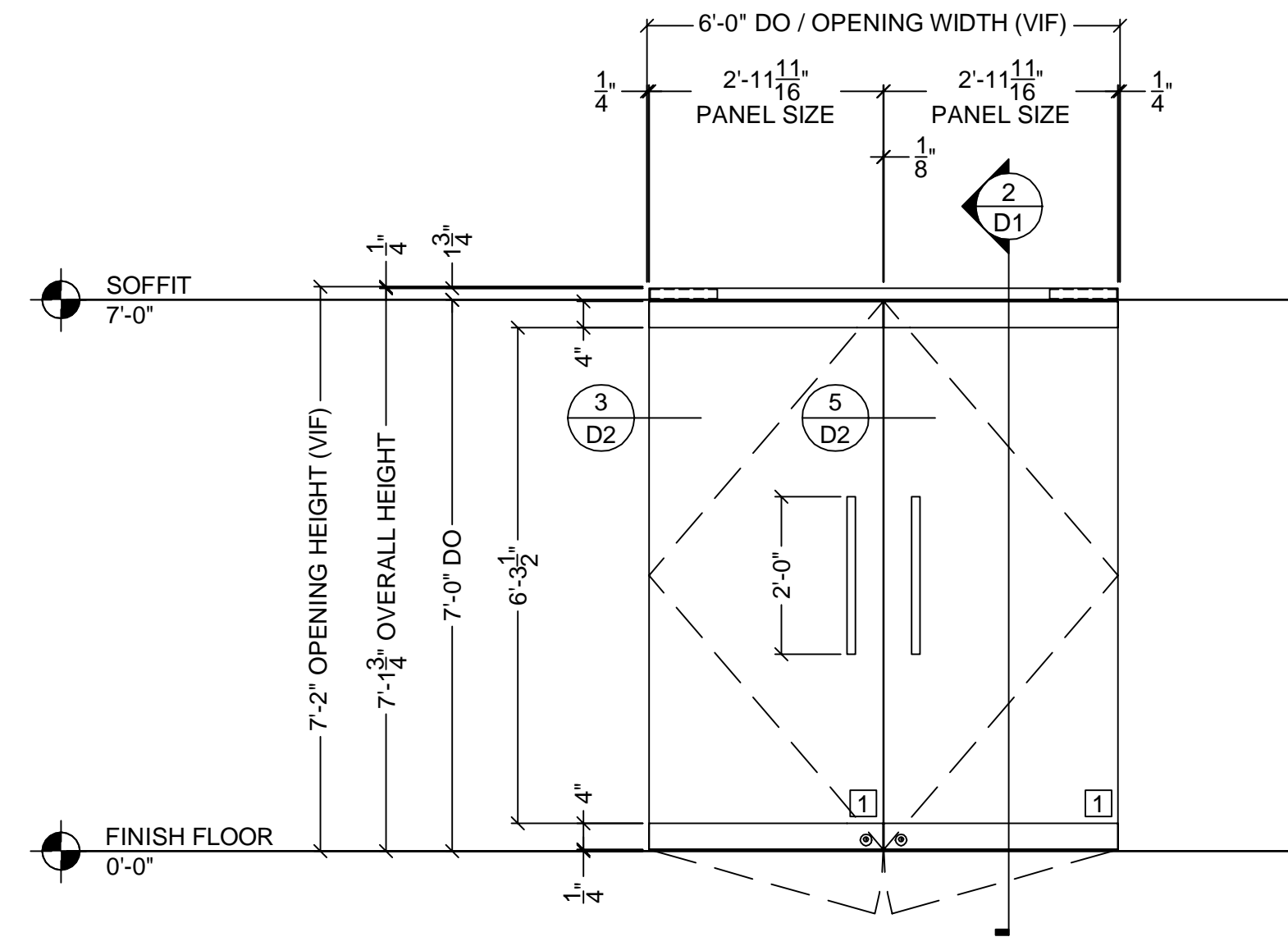
SCALE:
 NOT TO SCALE
 DATE:
 02/17/10
 FILENAME:
 SHEET

P3



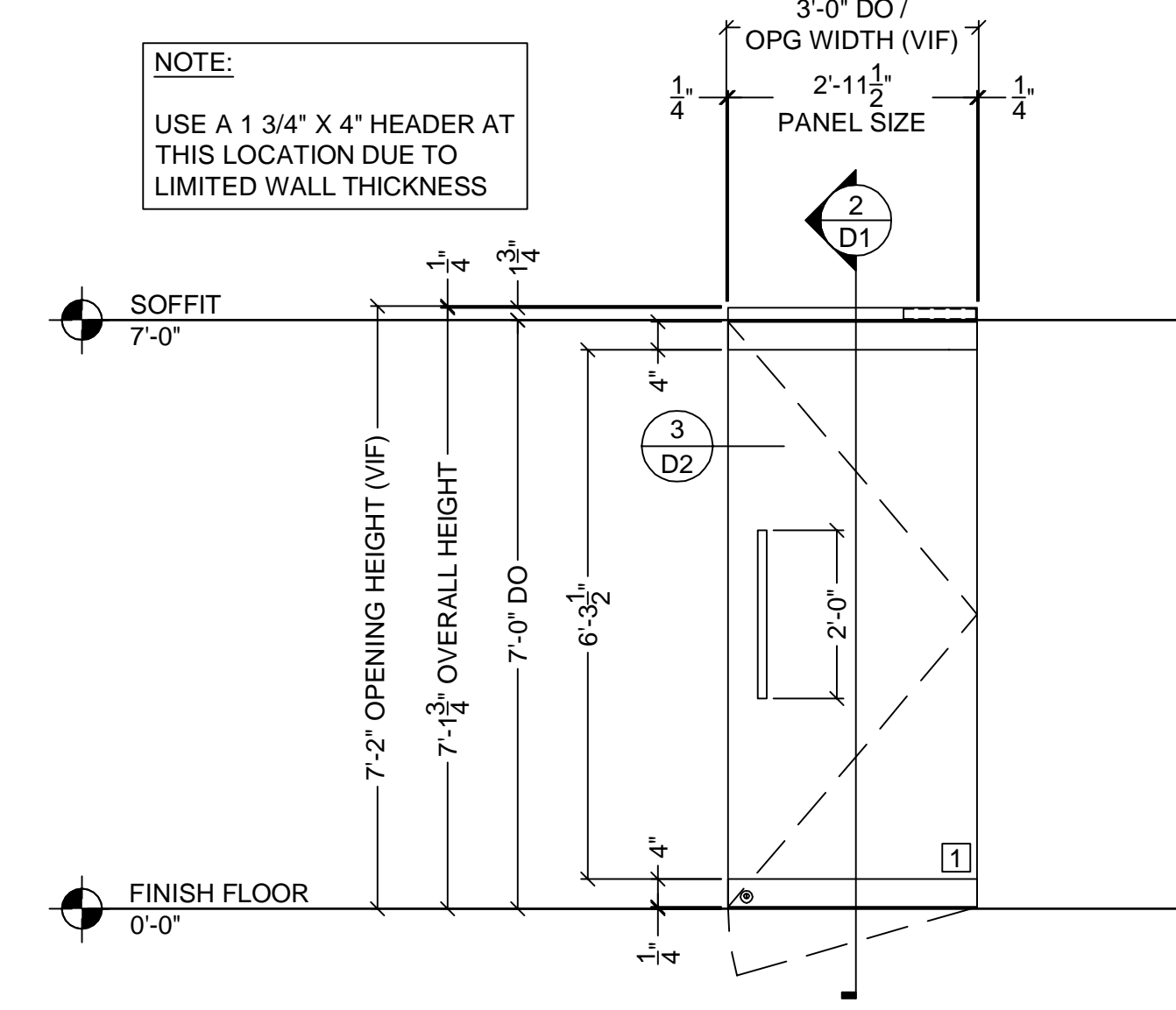
DOOR #129 ELEVATION
 1/2" ALL GLASS DOORS
 ONE (1) THUS
 ARCHITECTURAL REFERENCE 2/TI-6

1
E1



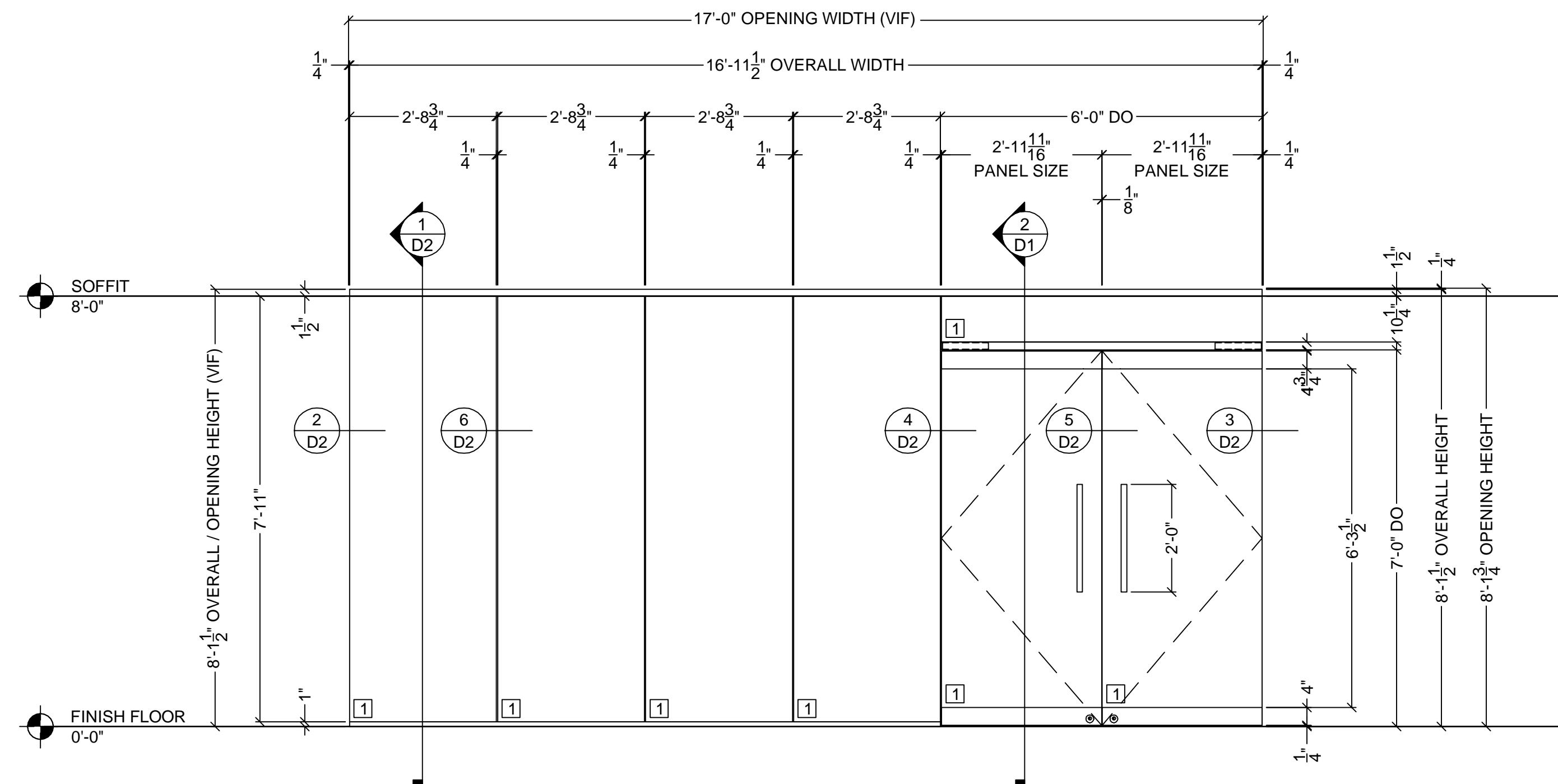
DOOR #130, 209, 358 & 359 ELEVATION
 1/2" ALL GLASS DOORS
 FOUR (4) THUS
 ARCHITECTURAL REFERENCE 2/TI-6

2
E1



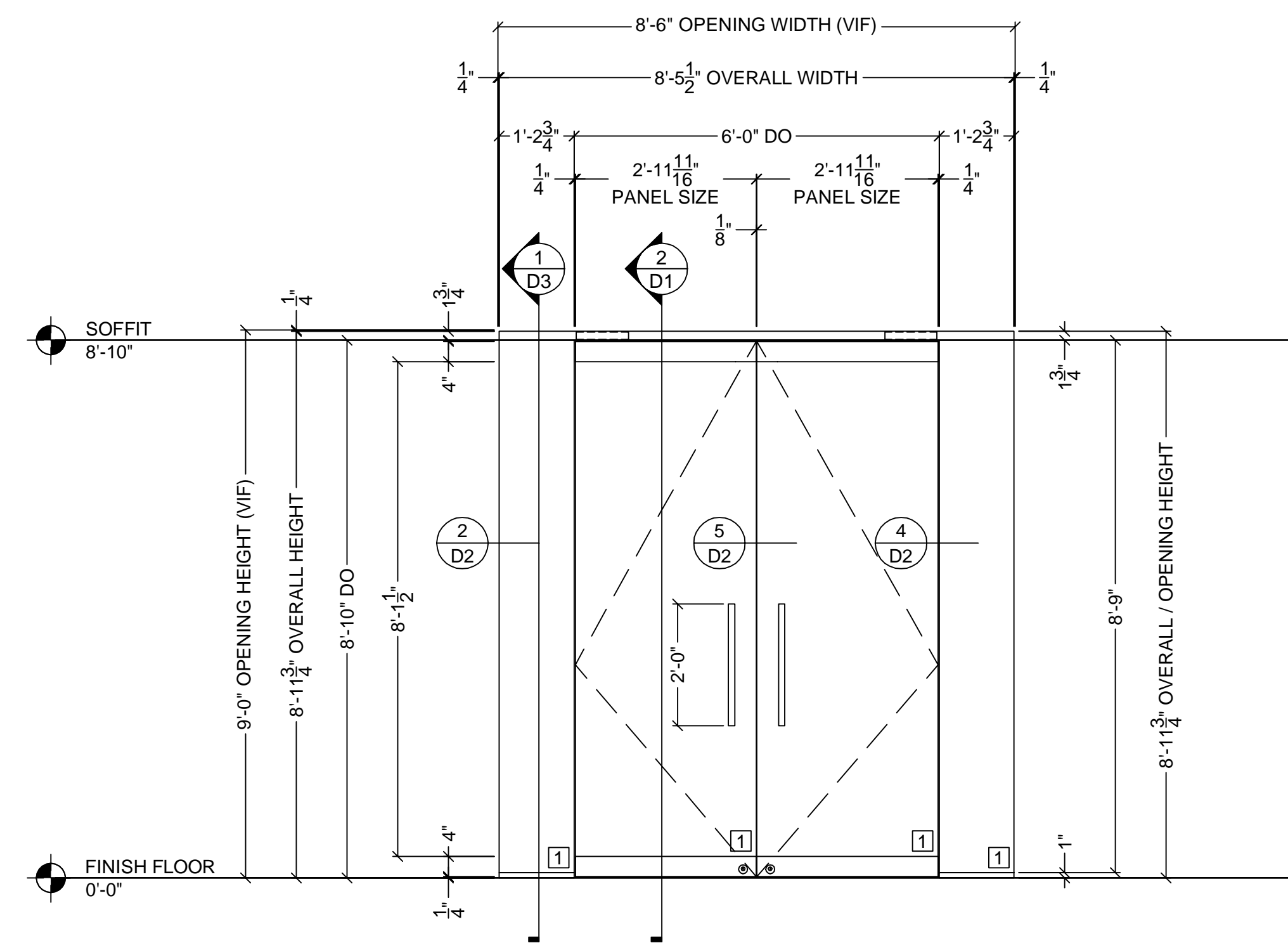
DOOR #219 ELEVATION
 1/2" ALL GLASS DOORS
 ONE (1) THUS
 ARCHITECTURAL REFERENCE 4/TI-6

3
E1



DOOR #225A ELEVATION
 1/2" ALL GLASS DOOR AND SIDELITES
 ONE (1) THUS
 ARCHITECTURAL REFERENCE 3/TI-6

4
E1



DOOR #227 & 260 ELEVATION
 1/2" ALL GLASS DOOR AND SIDELITES
 TWO (2) THUS
 ARCHITECTURAL REFERENCE 6/TI-6

5
E1

REVISIONS

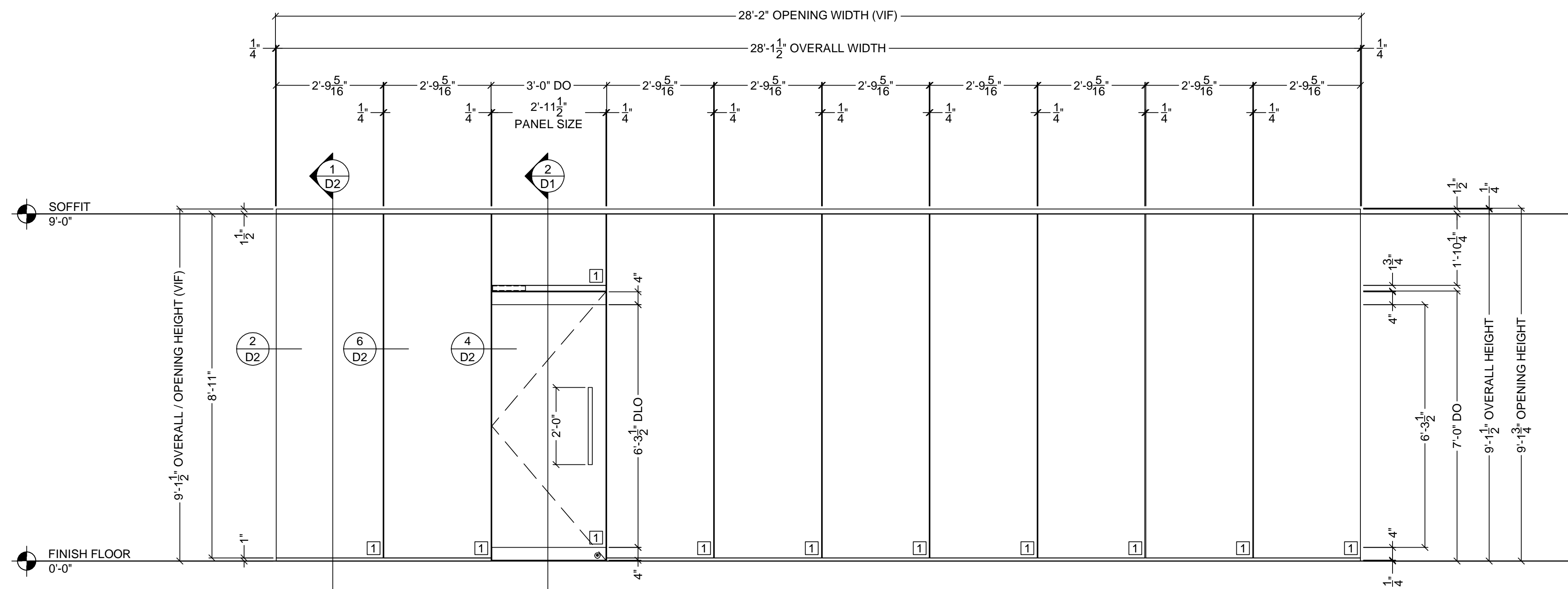
GLASS COMPANY

ARCHITECT
 ADDRESS
 CITY, ST, ZIP

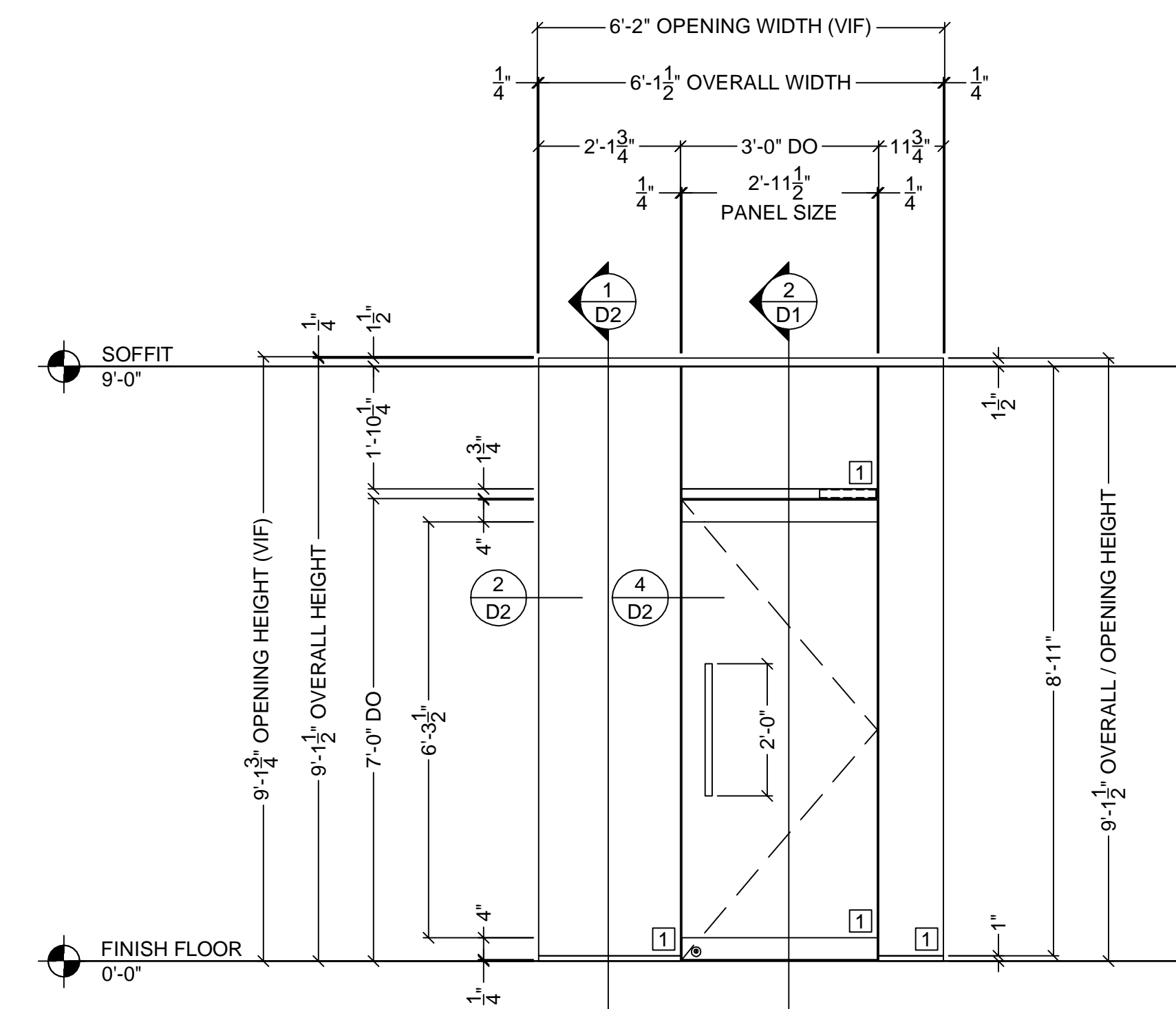
CONTRACTOR
 ADDRESS
 CITY, ST, ZIP

ELEVATIONS
 JOB
 ADDRESS
 CITY, ST, ZIP
 AREA

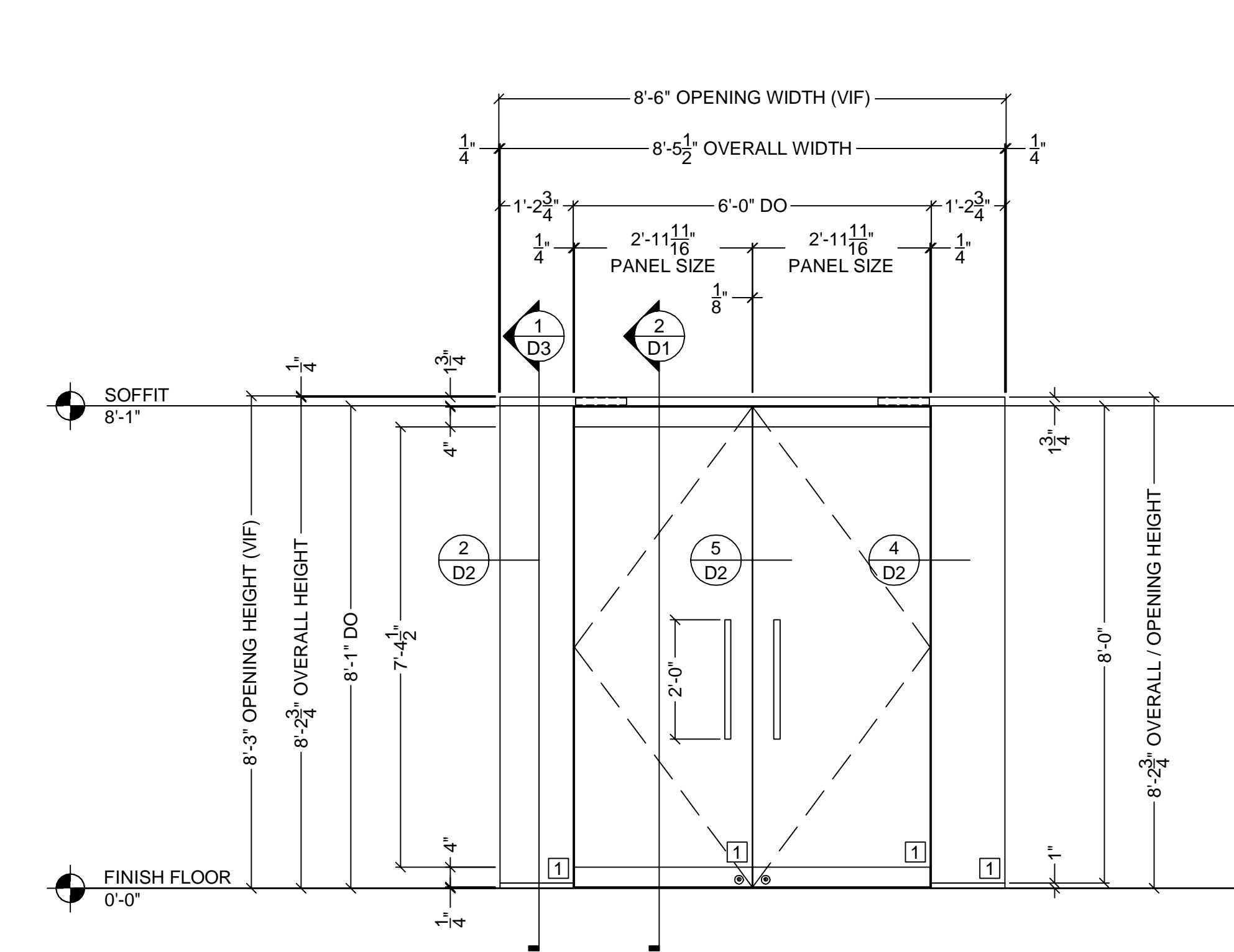
SCALE:
 1/2" = 1'-0"
 DATE:
 02/17/10
 FILENAME:
 SHEET



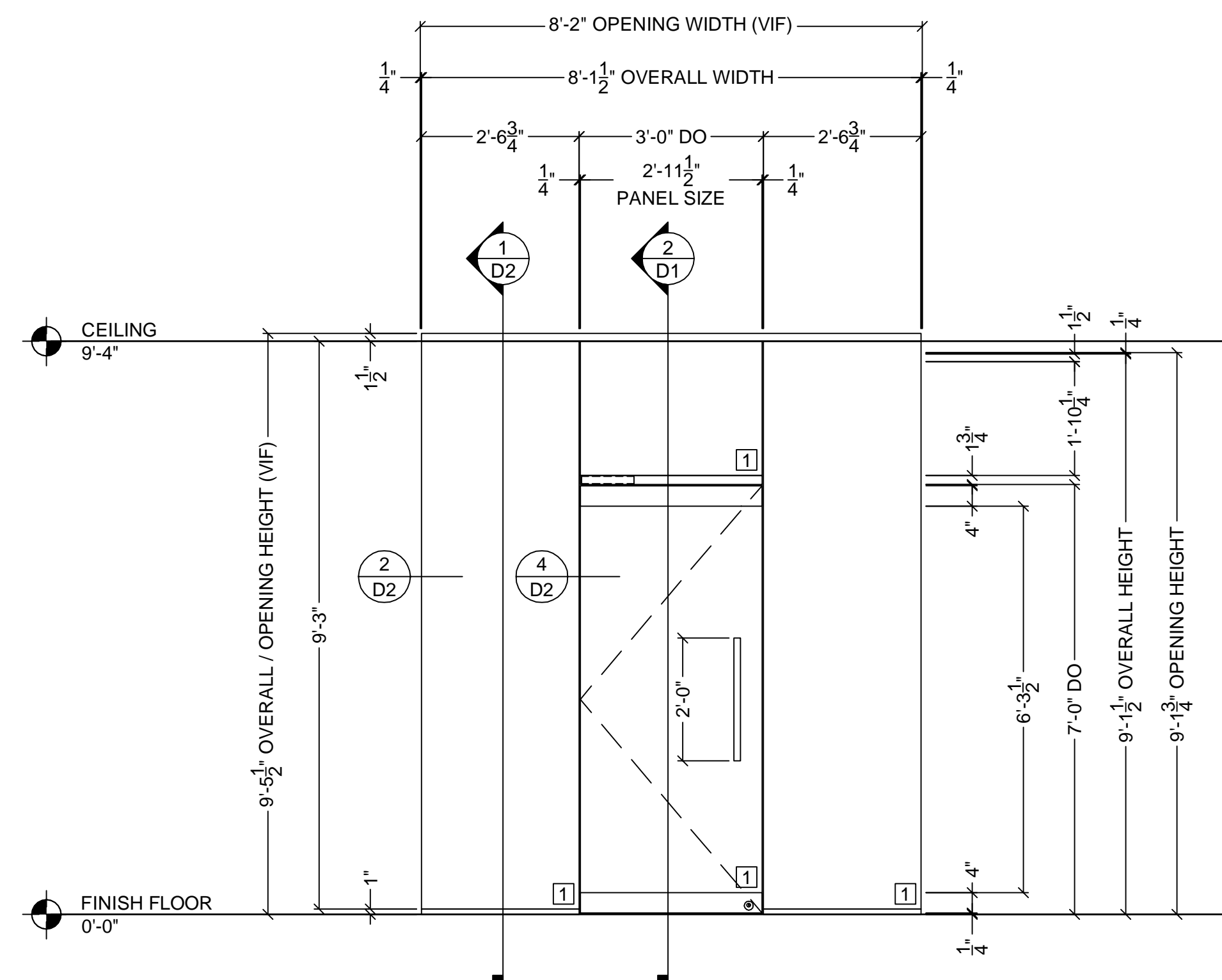
DOOR #259 & 3-110 ELEVATION
 1/2" ALL GLASS DOOR AND SIDELITES
 ONE (1) THUS - DOOR #3-110
 ONE (1) OPPOSITE - DOOR #259



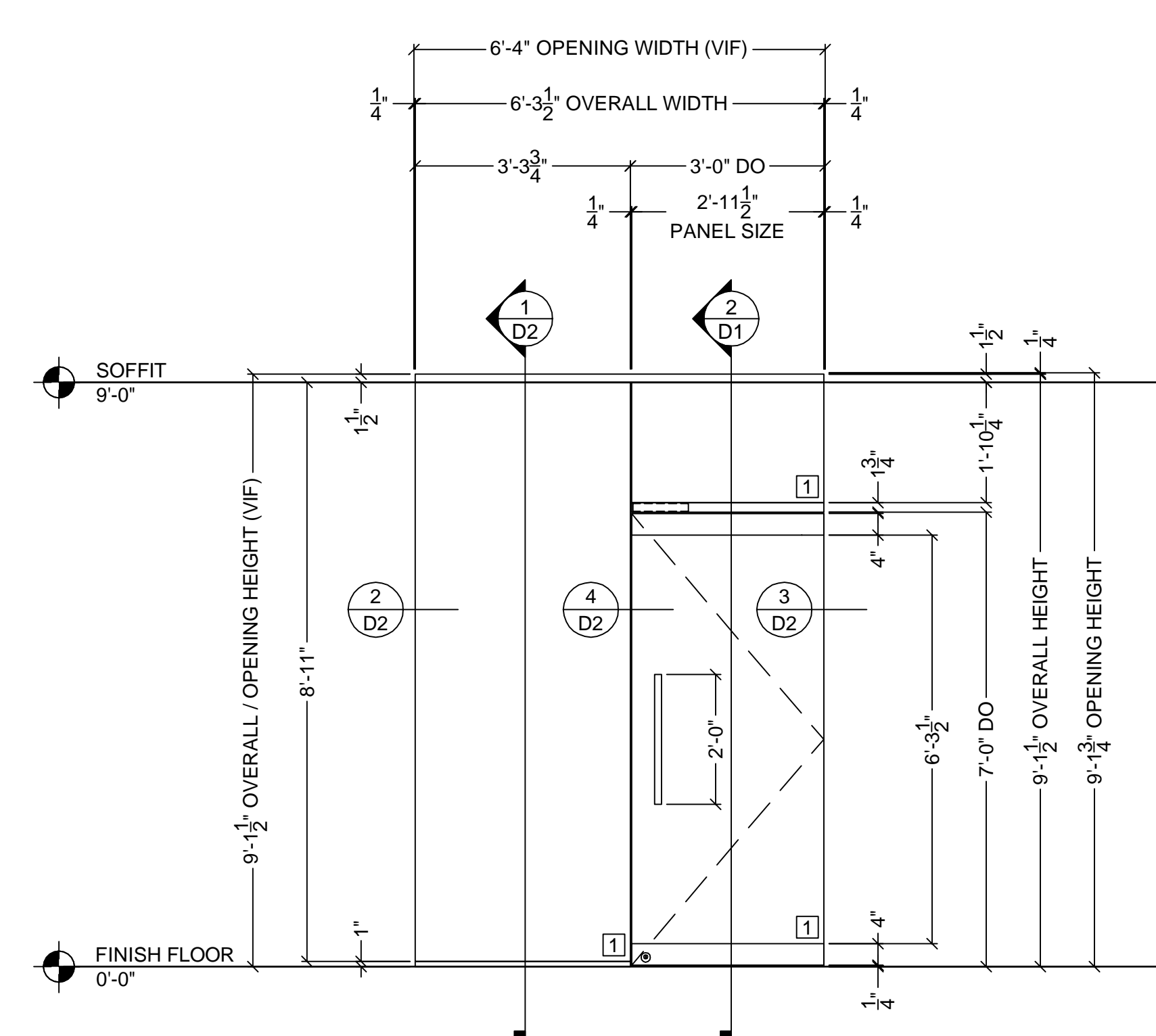
DOOR #305 ELEVATION
 1/2" ALL GLASS DOOR AND SIDELITES
 ONE (1) THUS
 ARCHITECTURAL REFERENCE 9/TI-6



DOOR #319 & 354 ELEVATION
 1/2" ALL GLASS DOOR AND SIDELITES
 TWO (2) THUS
 ARCHITECTURAL REFERENCE 11/TI-6



DOOR #370 & 371 ELEVATION
 1/2" ALL GLASS DOOR AND SIDELITES
 ONE (1) THUS - DOOR #370
 ONE (1) OPPOSITE - DOOR #371
 ARCHITECTURAL REFERENCE 8/TI-6



DOOR #374 ELEVATION
 1/2" ALL GLASS DOOR AND SIDELITES
 ONE (1) THUS
 ARCHITECTURAL REFERENCE 9/TI-6 SIM.

GENERAL NOTES

REVISIONS

GLASS COMPANY

ARCHITECT
 ADDRESS
 CITY, ST, ZIP

CONTRACTOR
 ADDRESS
 CITY, ST, ZIP

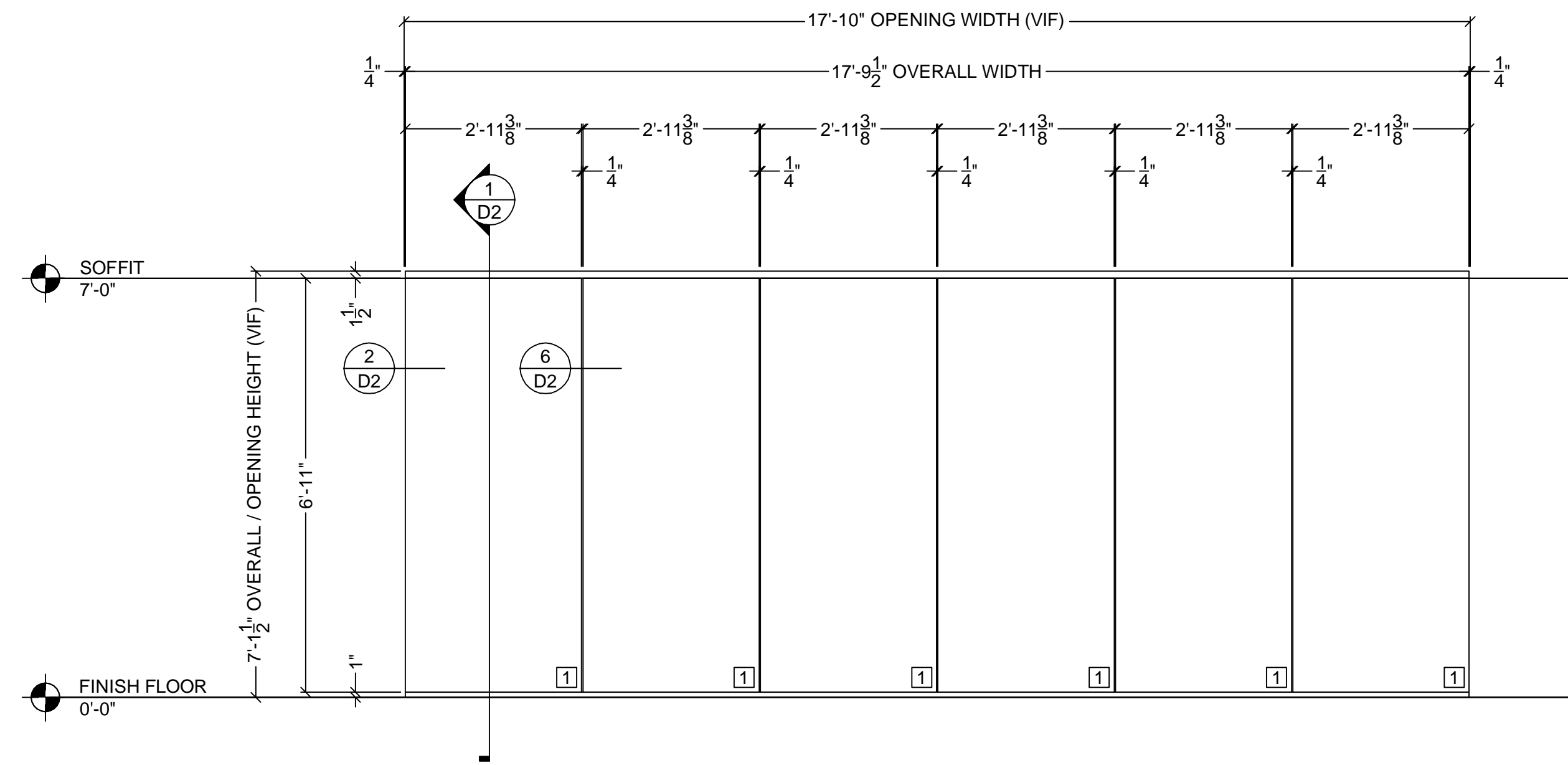
ELEVATIONS
 JOB
 ADDRESS
 CITY, ST, ZIP
 AREA

SCALE:
 1/2" = 1'-0"

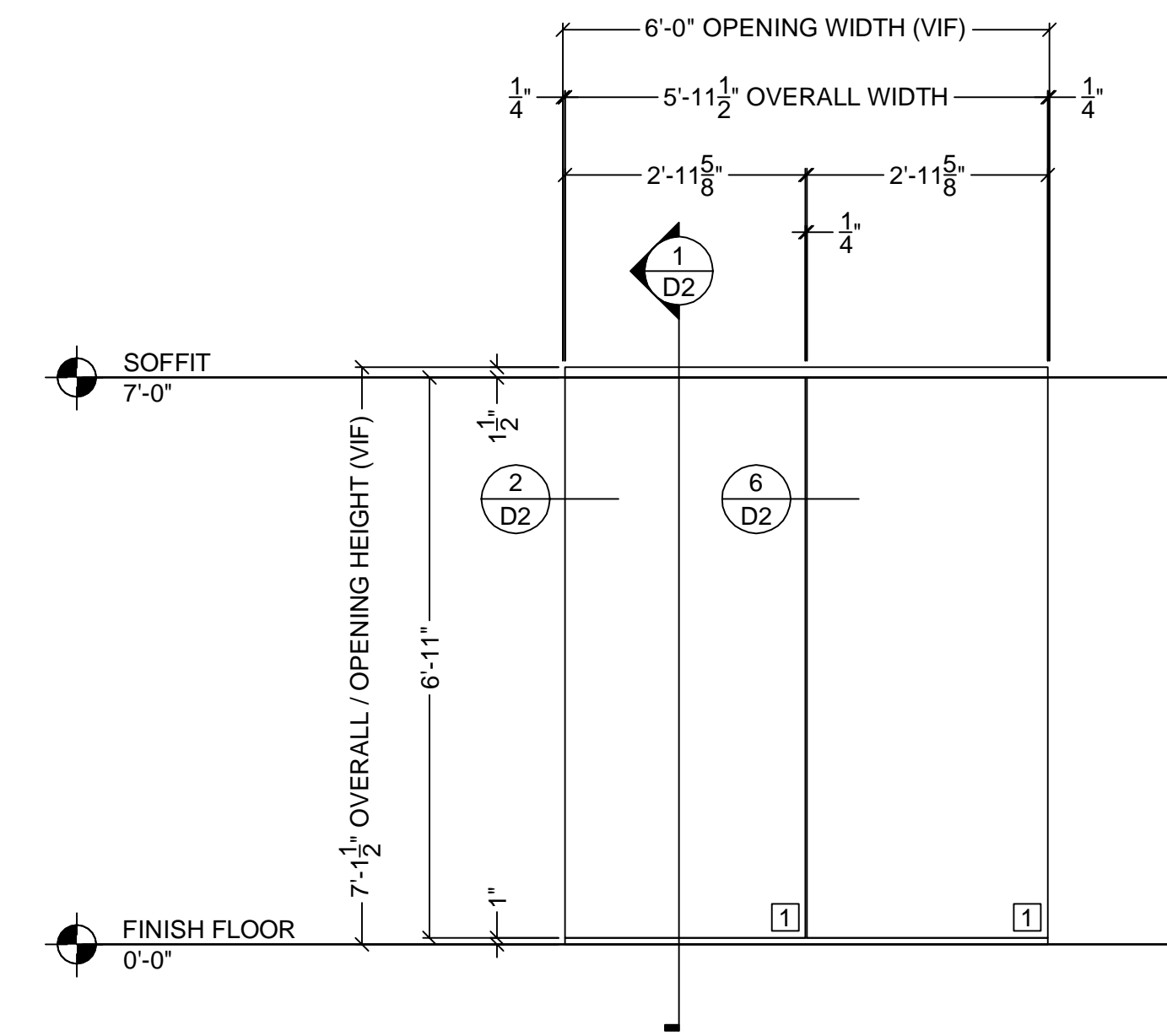
DATE:
 02/17/10

FILENAME:
 FILENAME

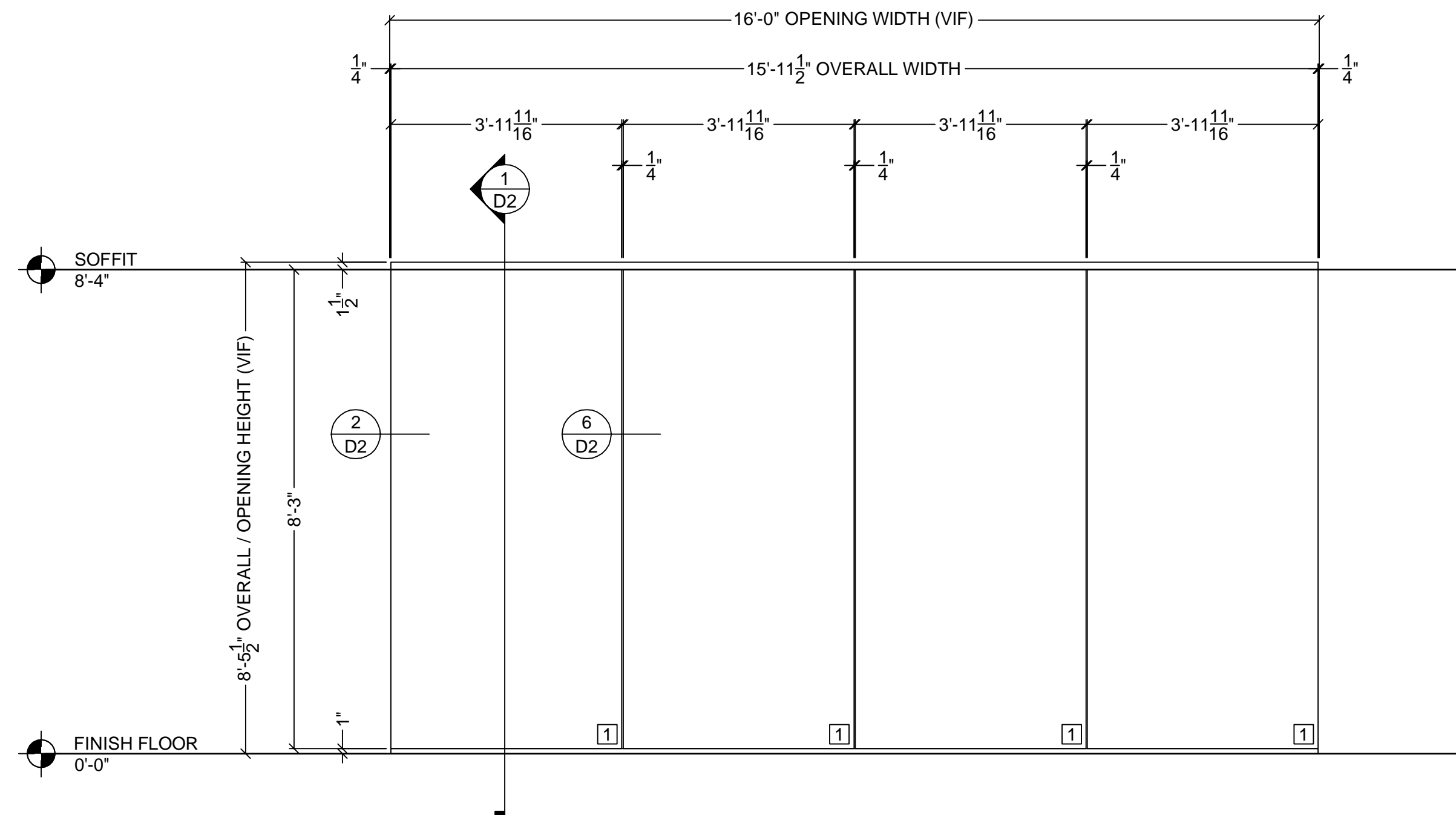
SHEET



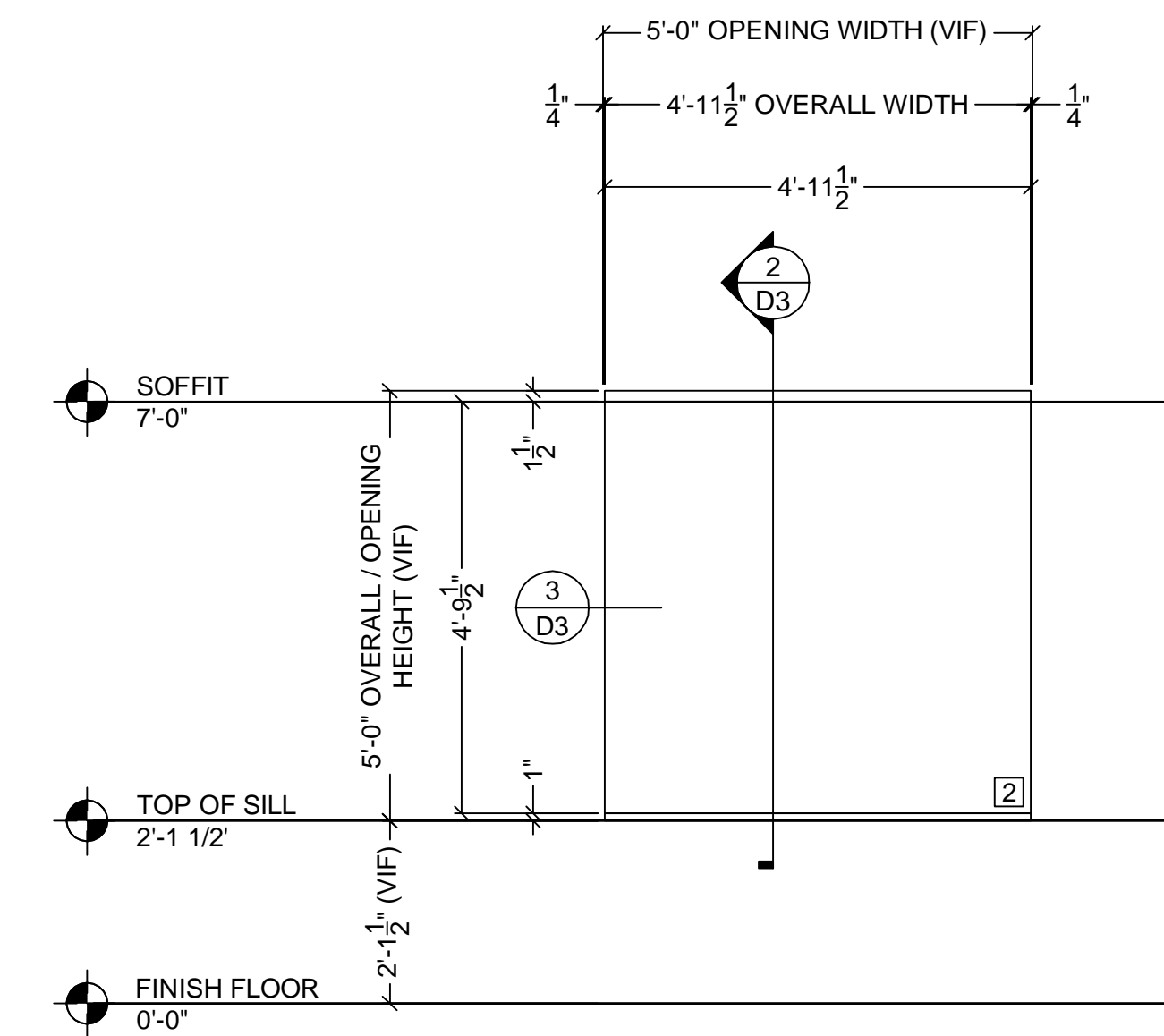
CONF. ROOM 260 NORTH WALL ELEVATION 1
 1/2" ALL GLASS SIDELITES
 ONE (1) THUS
 ARCHITECTURAL REFERENCE 5/TI-6



CONF. ROOM 260 SOUTH WALL ELEVATION 2
 1/2" ALL GLASS SIDELITES
 ONE (1) THUS



CONFERENCE ROOM 371 ELEVATION 3
 1/2" ALL GLASS SIDELITES
 ONE (1) THUS
 ARCHITECTURAL REFERENCE 12/TI-6



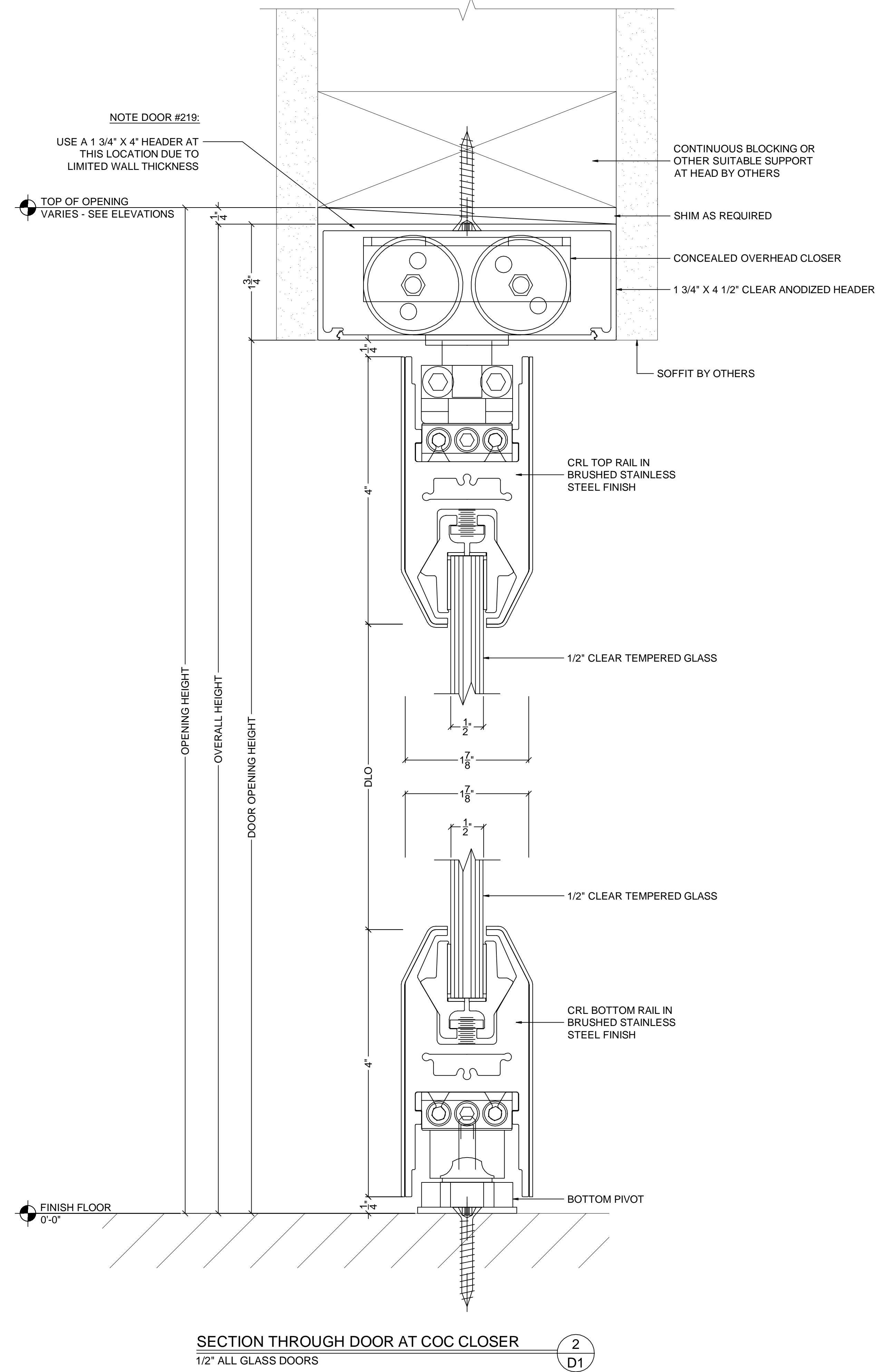
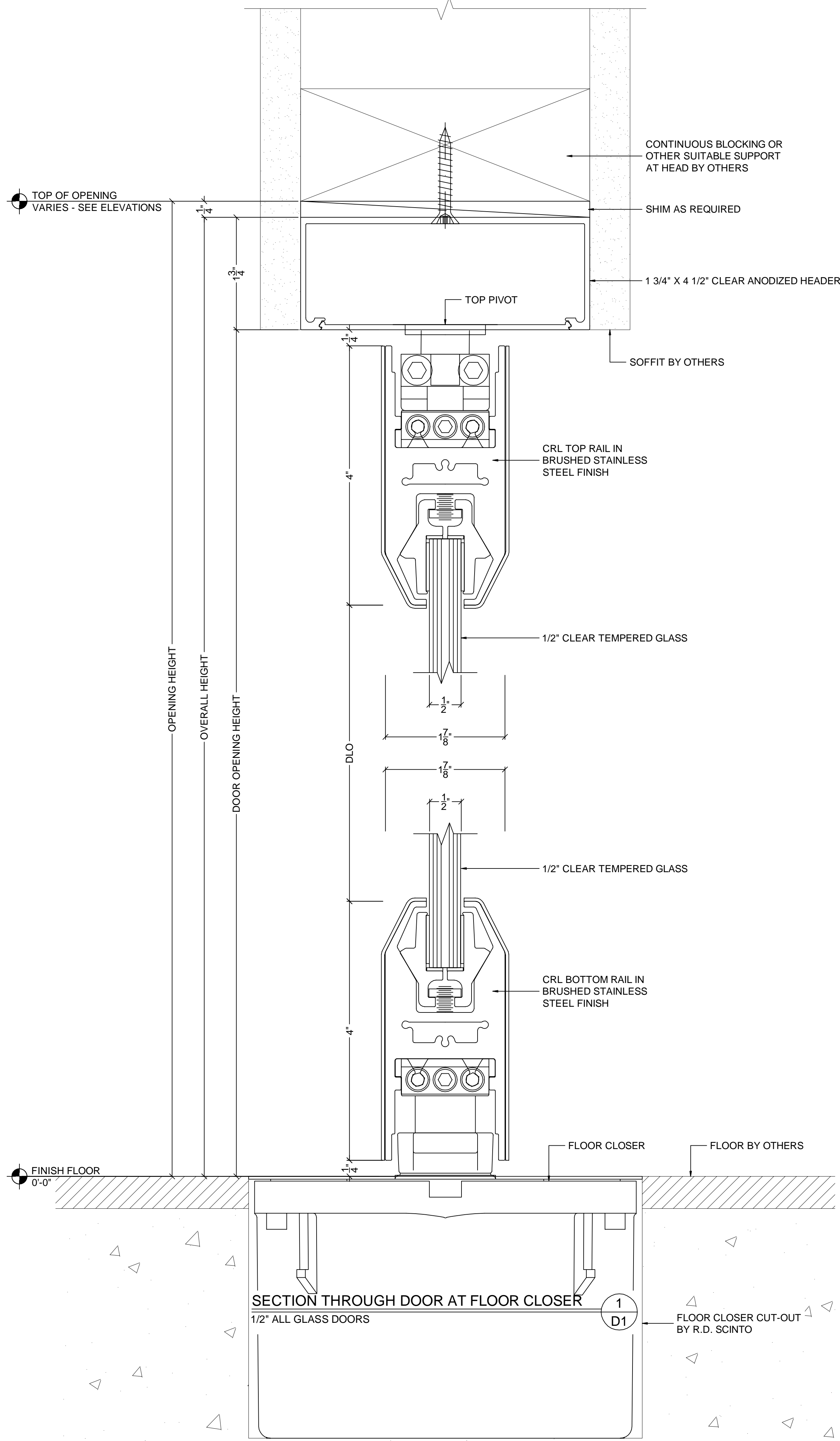
AREA 219 ELEVATION 4
 1/4" ALL GLASS SIDELITES
 ONE (1) THUS

REVISIONS

GLASS COMPANY

ELEVATIONS

SCALE: 1/2" = 1'-0"
DATE: 02/17/10
FILENAME: FILENAME
SHEET: E3



REVISIONS

GLASS COMPANY

ARCHITECT
ADDRESS
CITY, ST, ZIP

CONTRACTOR
ADDRESS
CITY, ST, ZIP

DETAILS

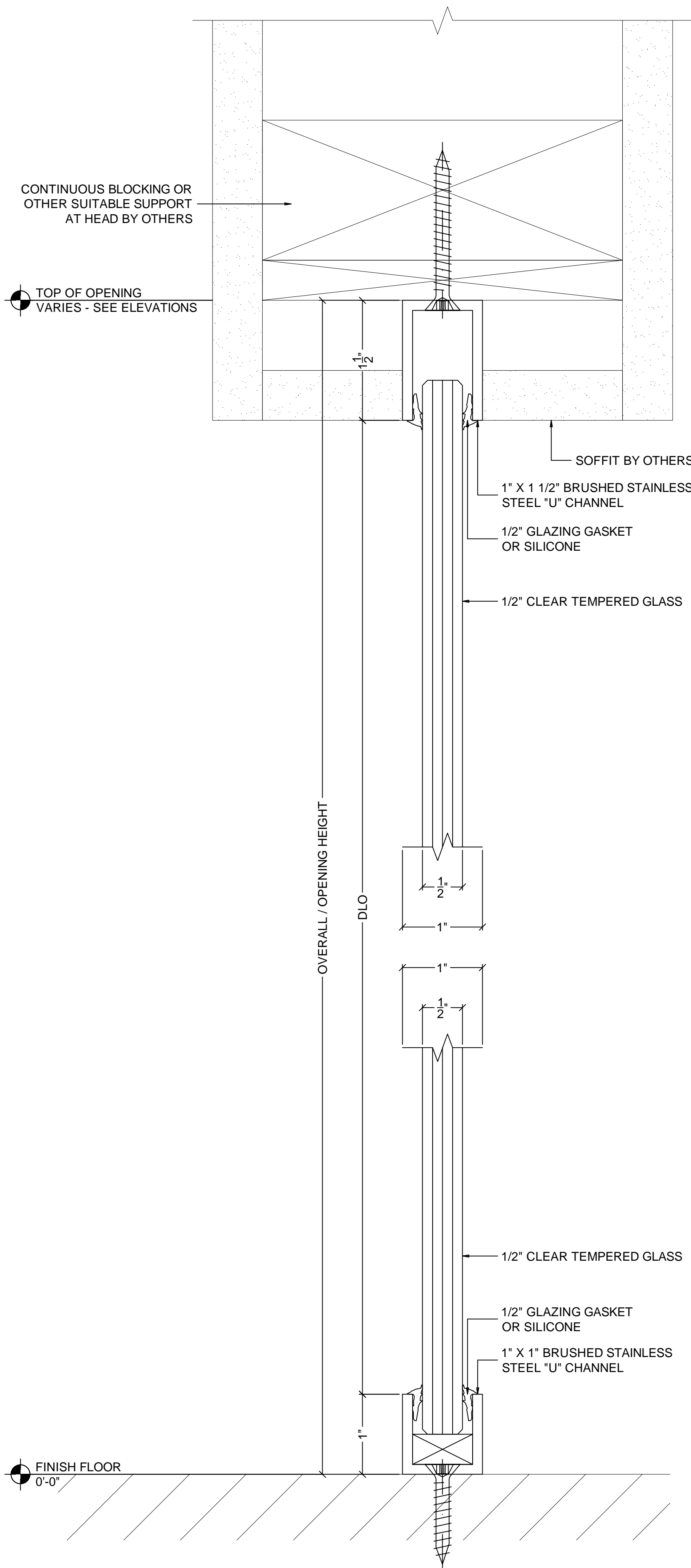
JOB
ADDRESS
CITY, ST, ZIP
AREA

SCALE:
FULL SIZE

DATE:
02/17/10

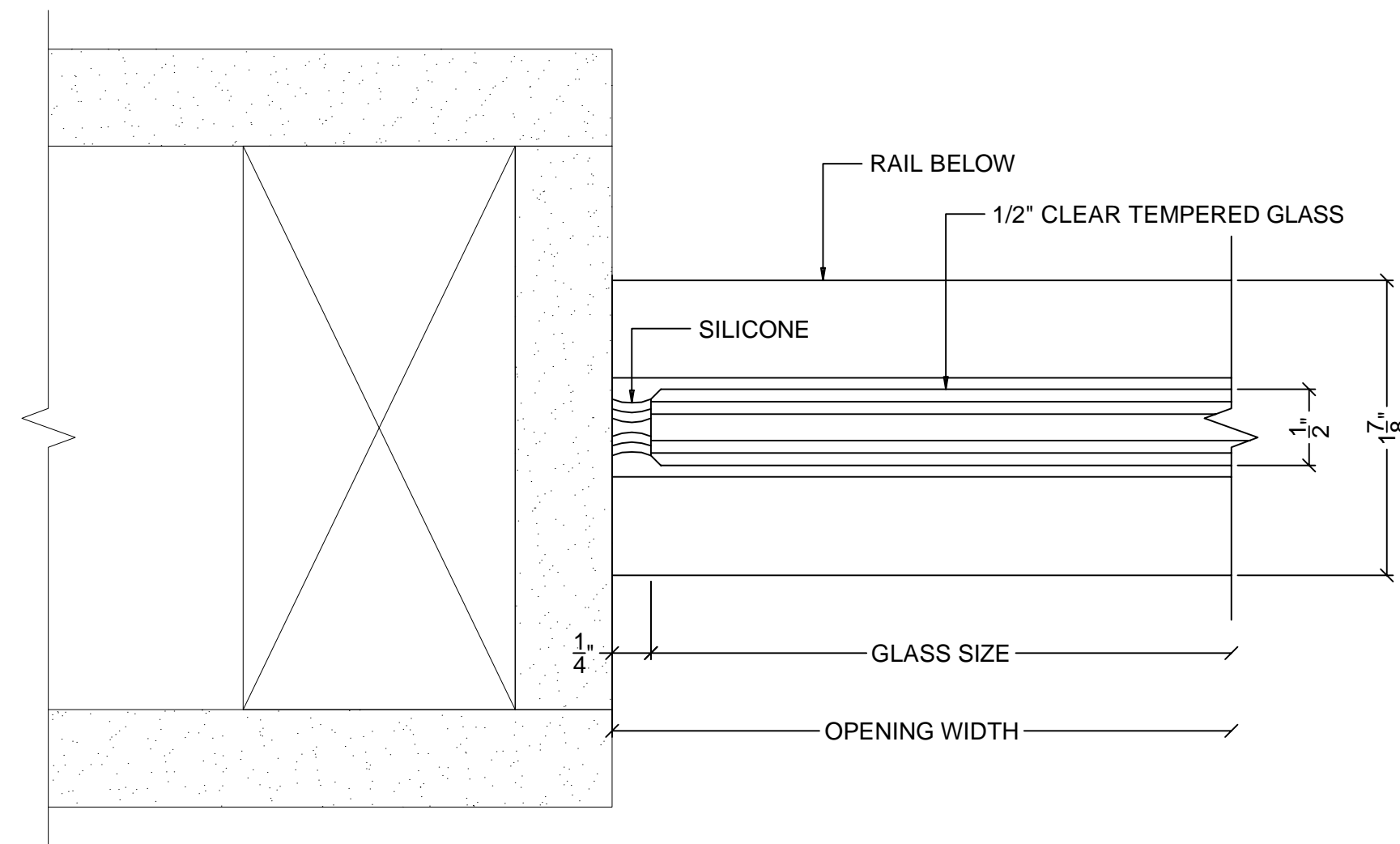
FILENAME:
FILENAME

SHEET



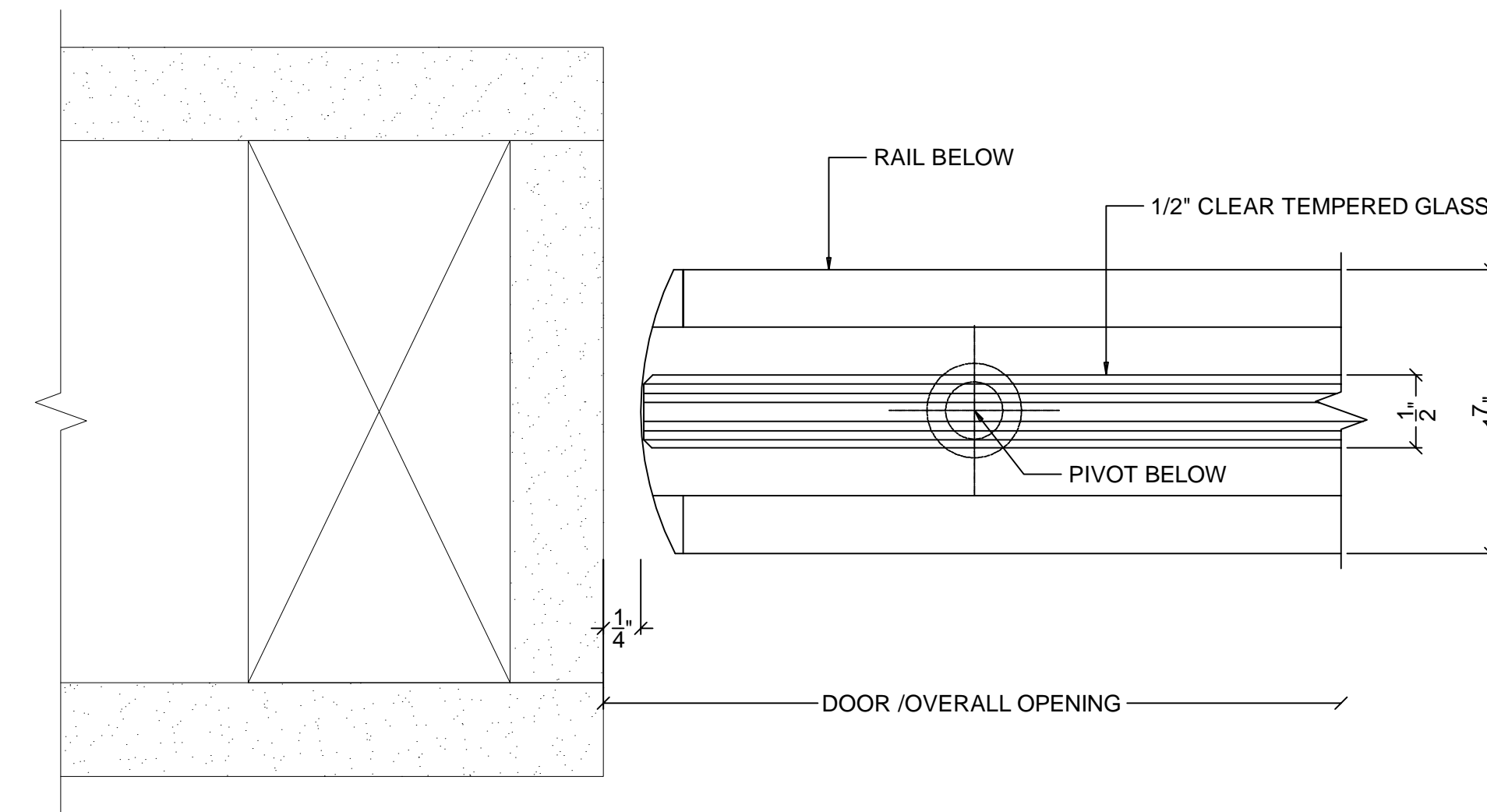
SECTION THROUGH SIDELITE
1/2" ALL GLASS SIDELITES

1
D2



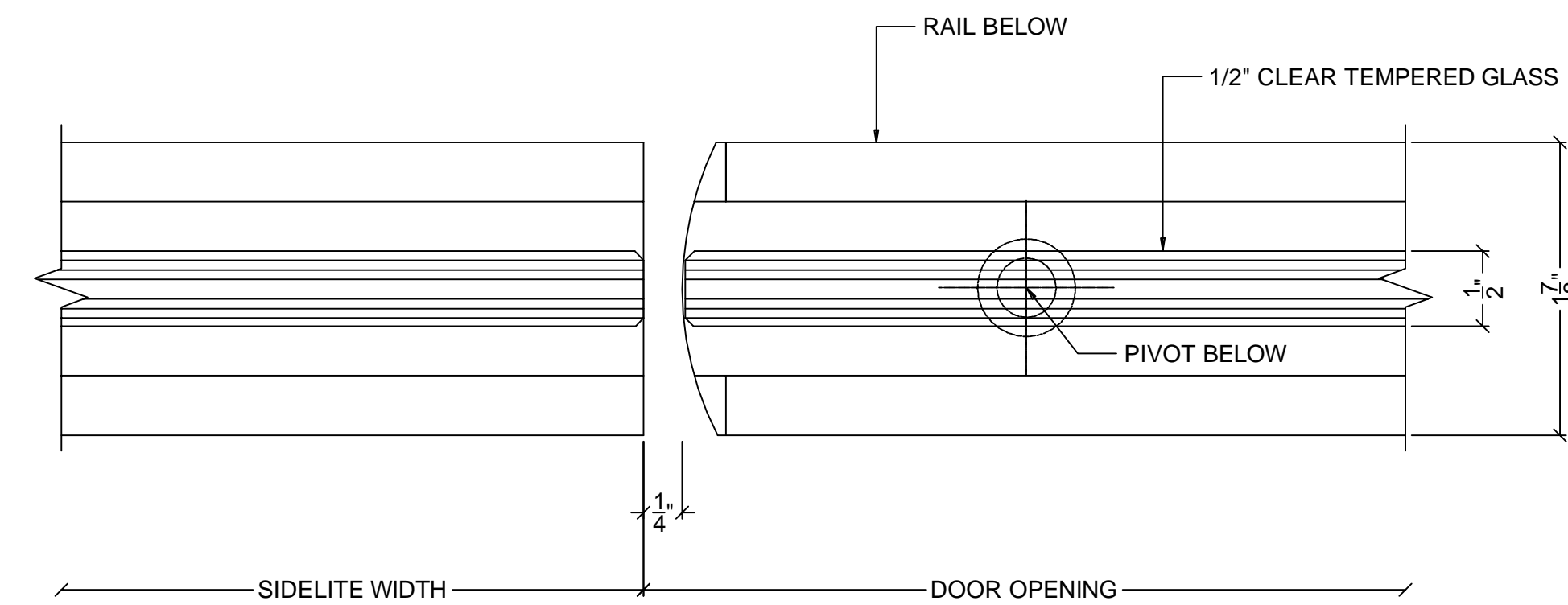
JAMB DETAIL AT SIDELITE
1/2" ALL GLASS SIDELITES

2
D2



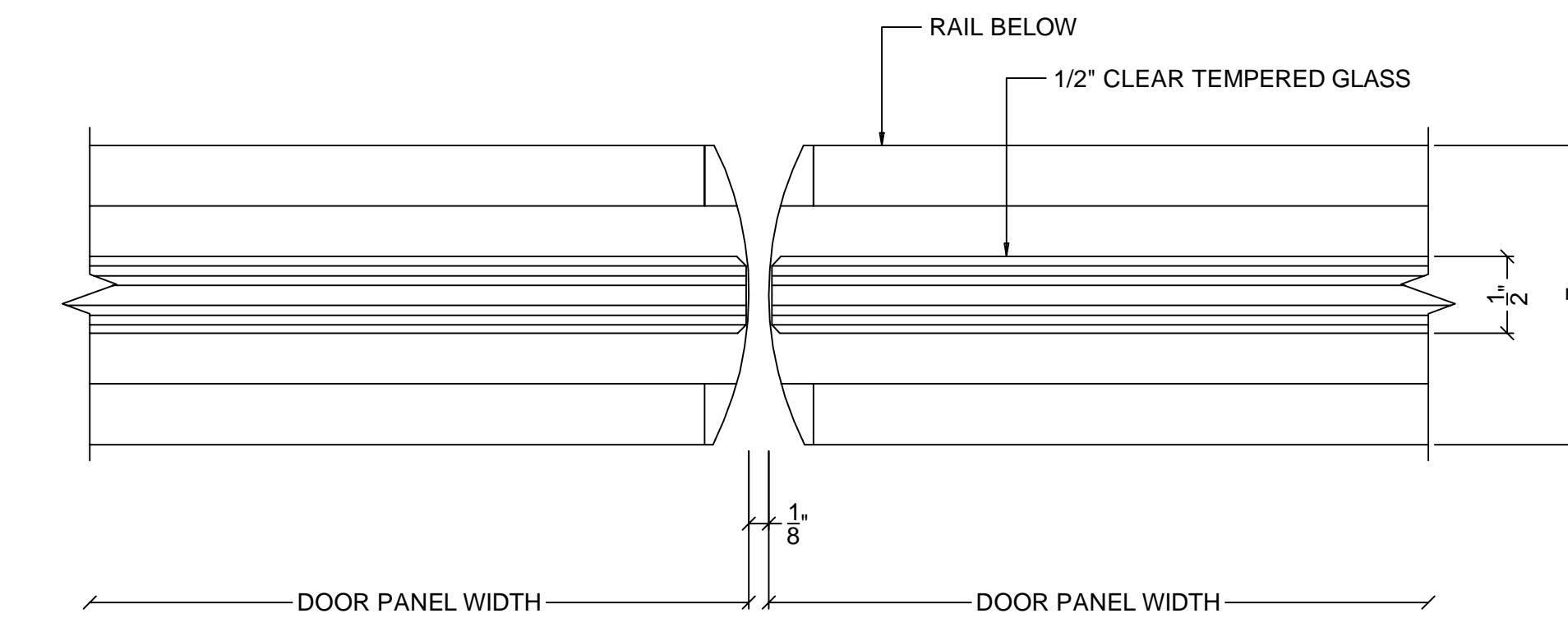
DOOR JAMB DETAIL AT CONDITION
1/2" ALL GLASS DOORS AND SIDELITES

3
D2



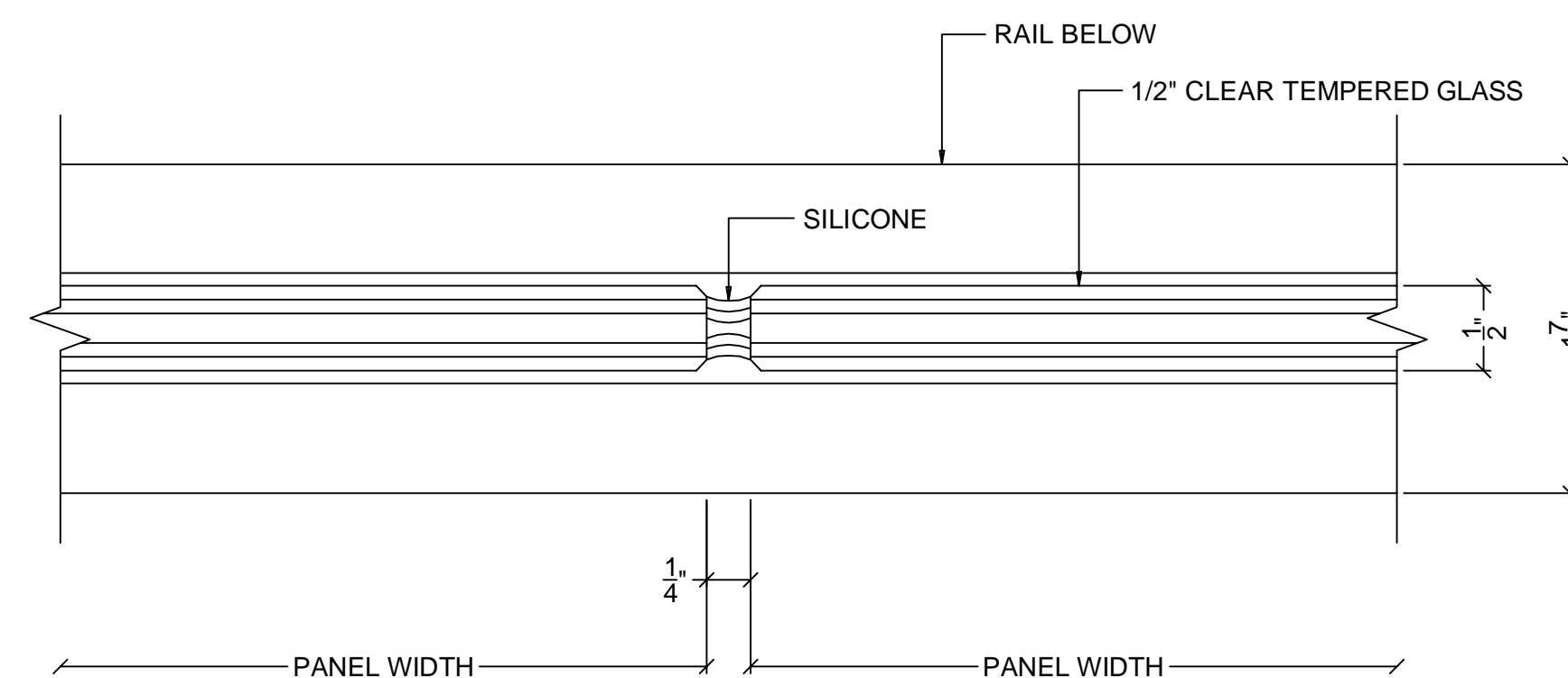
DOOR JAMB DETAIL AT SIDELITE
1/2" ALL GLASS DOORS AND SIDELITES

4
D2



MEETING STILES DETAIL
1/2" ALL GLASS DOORS

5
D2



BUTT JOINT DETAIL
1/2" ALL GLASS SIDELITES

6
D2

REVISIONS

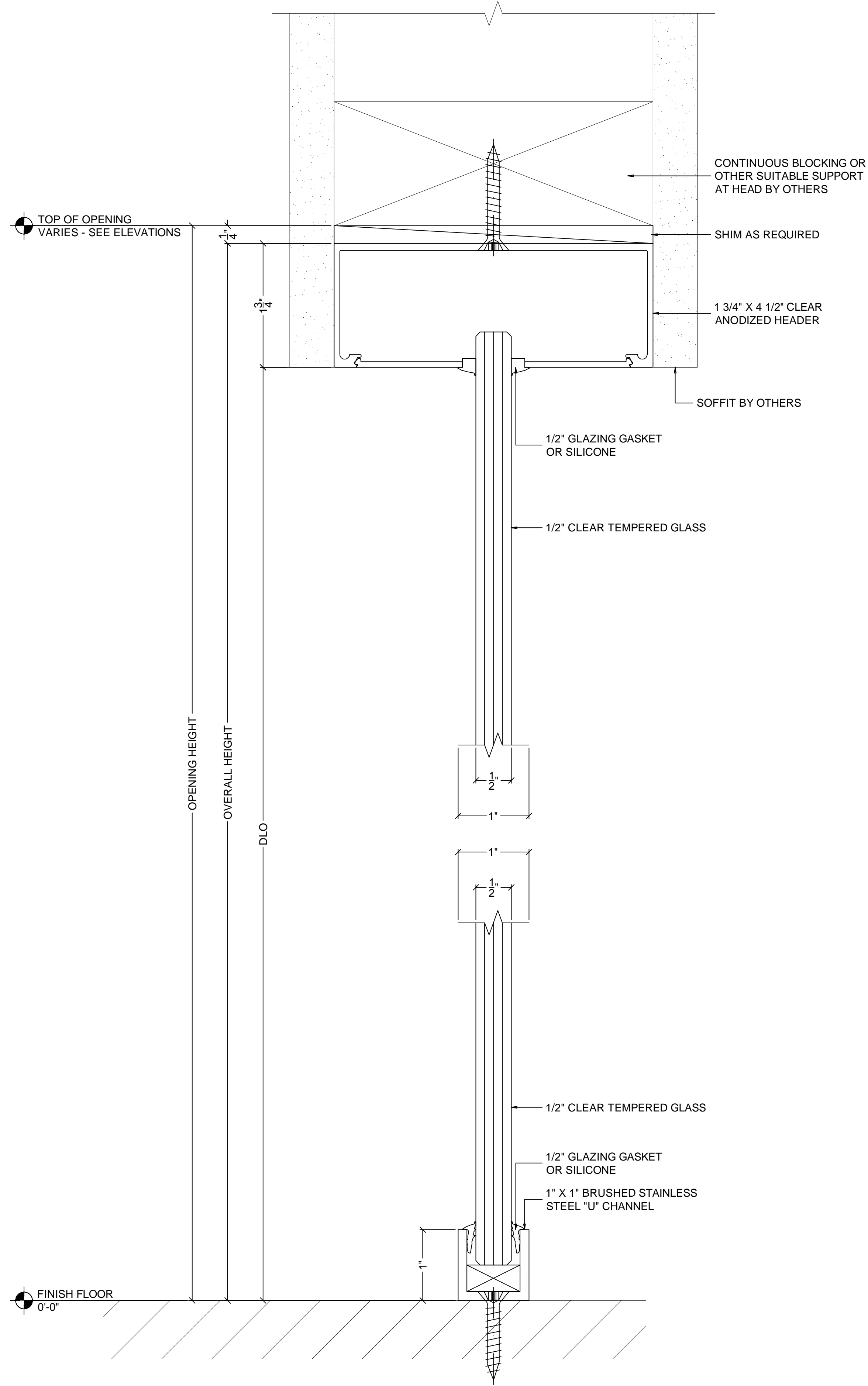
GLASS COMPANY

ARCHITECT
ADDRESS
CITY, ST, ZIP

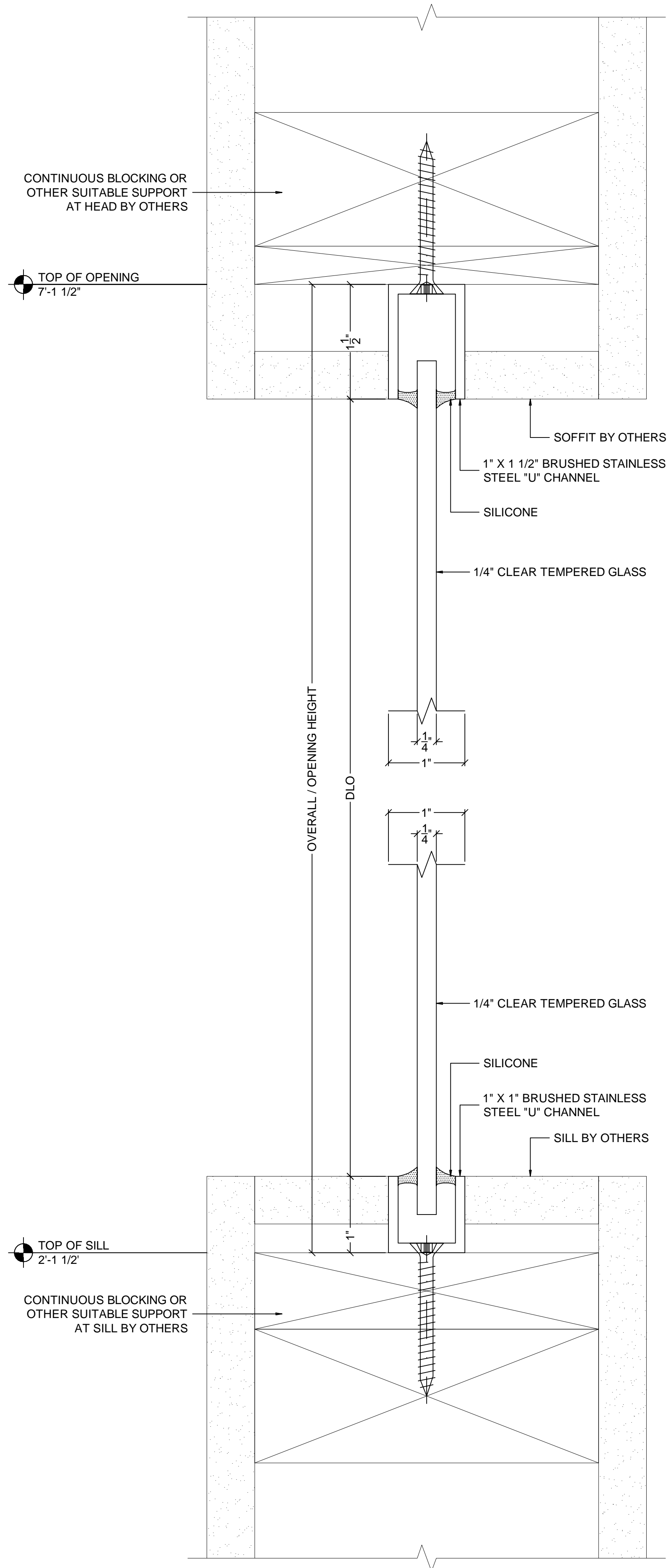
CONTRACTOR
ADDRESS
CITY, ST, ZIP

DETAILS
JOB
ADDRESS
CITY, ST, ZIP
AREA

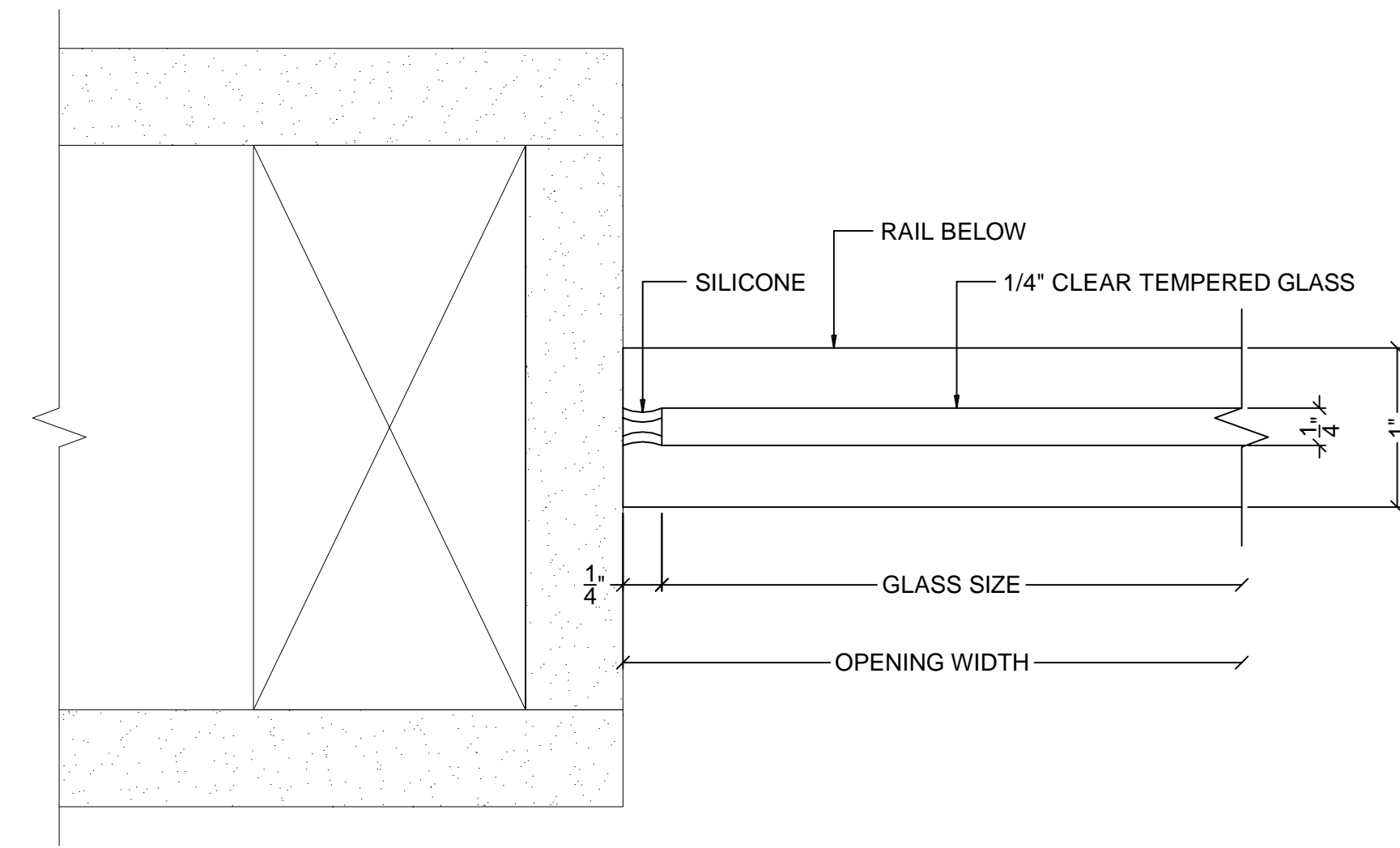
SCALE:
FULL SIZE
DATE:
02/17/10
FILENAME:
FILENAME
SHEET



SECTION THROUGH SIDELITE
1/2" ALL GLASS SIDELITE 1 D3



SECTION THROUGH SIDELITE
1/4" ALL GLASS SIDELITES 2 D3



JAMB DETAIL AT SIDELITE
1/4" ALL GLASS SIDELITES 3 D3

GENERAL NOTES

REVISIONS

GLASS COMPANY

ARCHITECT
ADDRESS
CITY, ST, ZIP

CONTRACTOR
ADDRESS
CITY, ST, ZIP

DETAILS
JOB
ADDRESS
CITY, ST, ZIP
AREA

SCALE:
FULL SIZE

DATE:
02/17/10

FILENAME:

SHEET

D3